

Unit Specifications:

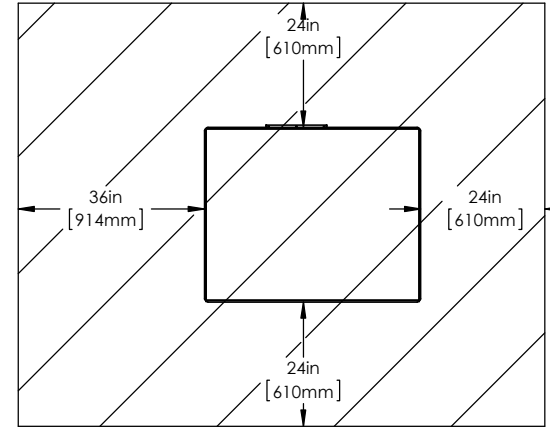
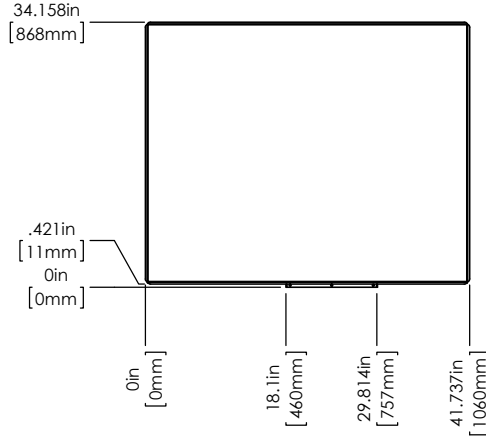
- Compressor: (1) Scroll, Copeland or Equivalent
- Condensers: (1) Double Wall Brazed Plate
- Evaporators: (1) 1/2" Cu Tubing, DX Coil
- Potable Water Pump: (1) 1/8 HP (125 Max PSI, Standard)
- Fan Type: Centrifugal
- Fans: (1) 9" Diameter
- Fan Speed: 1140 RPM
- Fan Motor Type: TEAO
- Fan Motor Hp: 1/2 Hp (Standard)
- Control: Electromechanical Controls
- Micro Processor(PLC Optional)
- Approximate Ship Weight: 445 lbs (EST)
- Refrigerant: R134a

- Unit Performance:
- Airflow: 1200 CFM
- Face Velocity: 343 FPM
- External Static Press: 0.25" IWG
- Duct Sizing for Coil Face: 30" x 17"
- Duct Sizing for Centrifugal Fan: 11.5" x 10"

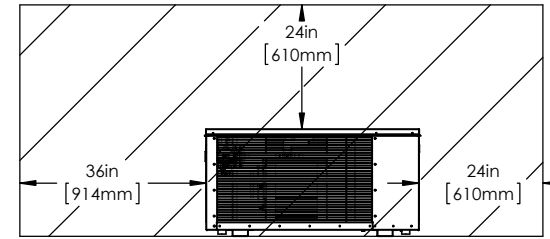
- Available Options:
- Spring Isolation Kit
- Air Filter
- Bird Screen
- Rain Hood
- BMS Protocol

- Fin Material Options:
- Aluminum
- Copper
- Electrofin
- Polycoat

- Cabinet Material Options:
- Mill Finish Aluminum
- Galvanized Steel
- 304 Stainless Steel
- 316 Stainless Steel



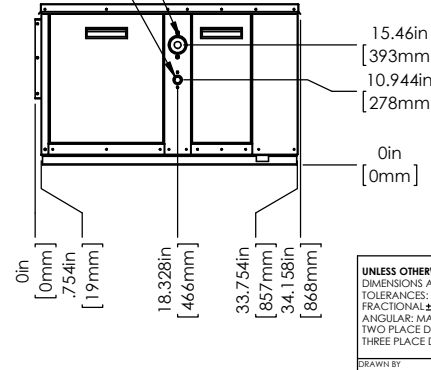
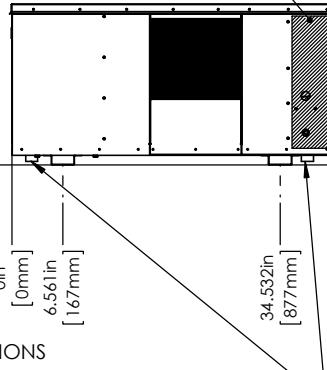
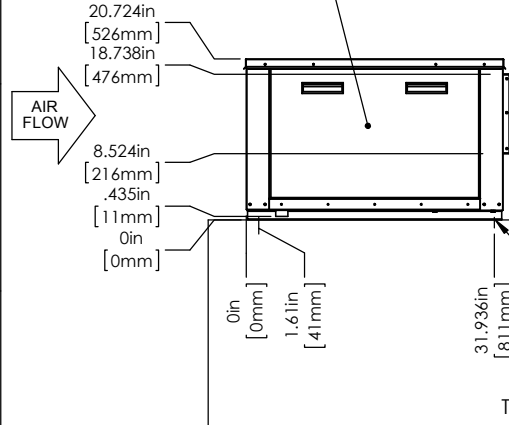
RECOMMENDED SERVICE CLEARANCE



MECHANICAL ACCESS

ELECTRICAL UTILITY ACCESS

3/4" FPT POTABLE IN  
3/4" FPT POTABLE OUT



TIE DOWN LOCATIONS

1" FPT CONDENSATE DRAIN

PROPRIETARY AND CONFIDENTIAL  
THE INFORMATION CONTAINED IN THIS DRAWING IS THE SOLE PROPERTY OF COLMAC INDUSTRIES. ANY REPRODUCTION IN PART OR AS A WHOLE WITHOUT THE WRITTEN PERMISSION OF COLMAC INDUSTRIES IS PROHIBITED.

UNLESS OTHERWISE SPECIFIED:  
DIMENSIONS ARE IN INCHES  
TOLERANCES:  
FRACTIONAL ±1/16  
ANGULAR: MACH ±1° BEND ±1°  
TWO PLACE DECIMAL ±0.03  
THREE PLACE DECIMAL ±0.031

COLMAC INDUSTRIES  
401 N. Lincoln, Colville, Washington 99114  
(509)684-4505

TITLE  
GENERAL SUBMITTAL  
HPA 4 CENTRIFUGAL

DRAWN BY	DATE
ENGINEER	DATE
SOLIDWORKS	AUTOCAD
DO NOT SCALE DRAWING	

SIZE	DWG. NO.	REV
B	1010004-0018	
SCALE: 1:12	UNIT WT.	SHEET 1 OF 1