

Unit Specifications:

- Compressor: (2) Scroll, Copeland or Equivalent
- Condensers: (2) Vented Double Wall Brazed Plate
- Evaporators: (2) Single Wall Brazed Plate
- Potable Water Pump: (4) 1/6 HP (150 Max PSI, Standard)
- Source Water Pump: Provided by Others
- Control: Electromechanical Microprocessor (PLC) (Optional)
- Frame: 304 SST (Standard)
- Approximate Ship Weight: 1545 lbs (EST)
- Refrigerant: R134a

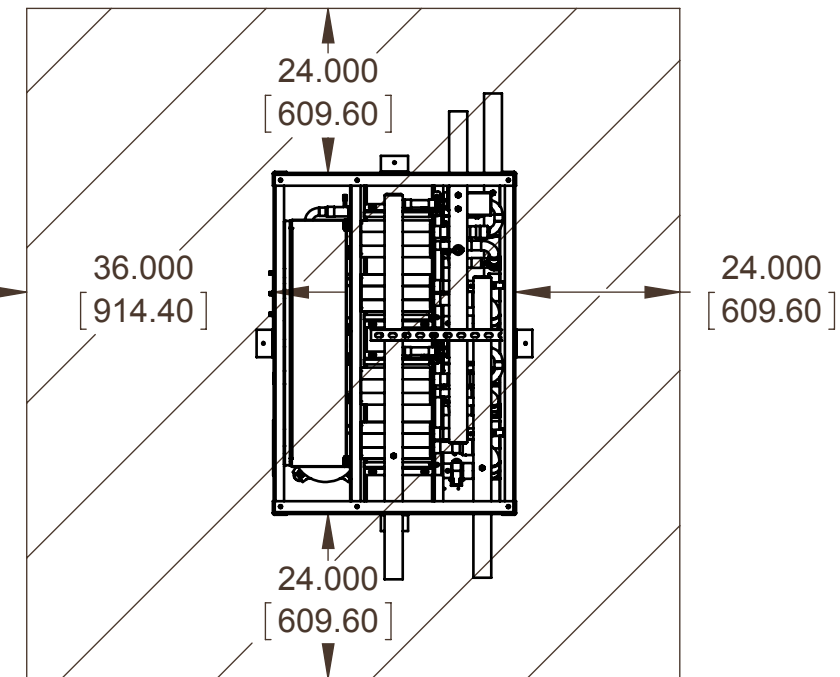
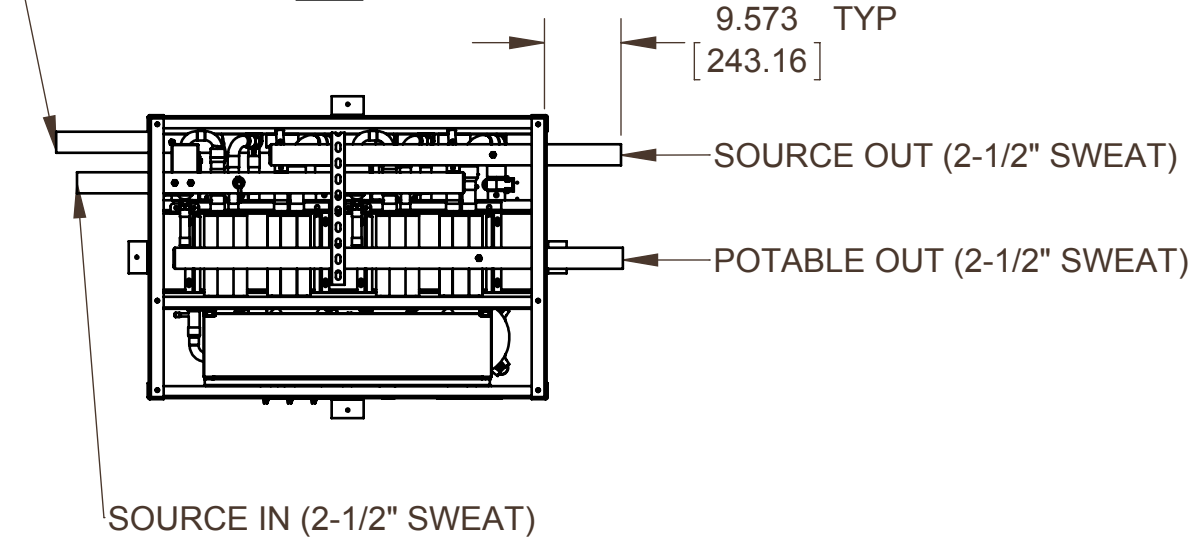
- Available Options:
- Low Source Evaporator
  - High Source Kit
  - Insulated Cabinet
  - NEMA 1 Electrical Enclosure or Better
  - Spring Isolation Kit

- Optional Cabinet Material
- Mill Finish Aluminum
  - Galvanized Steel
  - 304 Stainless Steel
  - 316 Stainless Steel

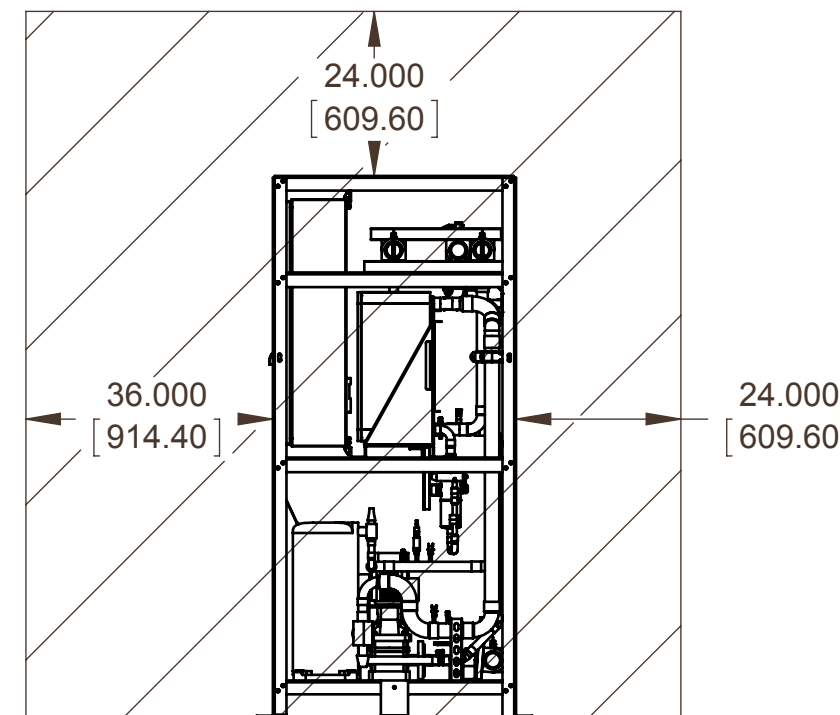
Note: Shown Without Cabinet Option For Clarity  
 Allow 3" In All Frame Dimensions For Cabinet  
 Cabinet Will Increase Ship Weight

POTABLE IN (2-1/2" SWEAT)

TOP



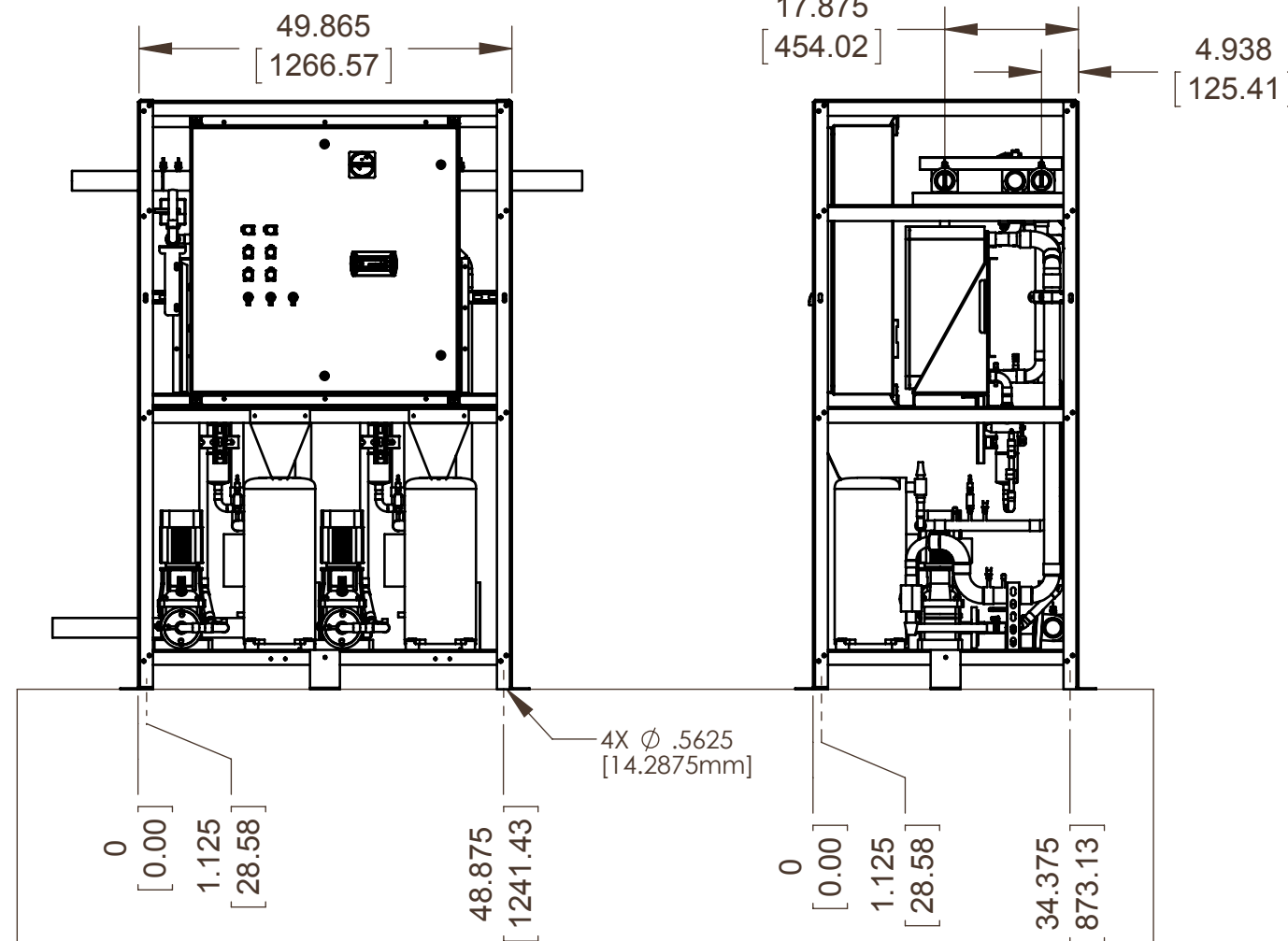
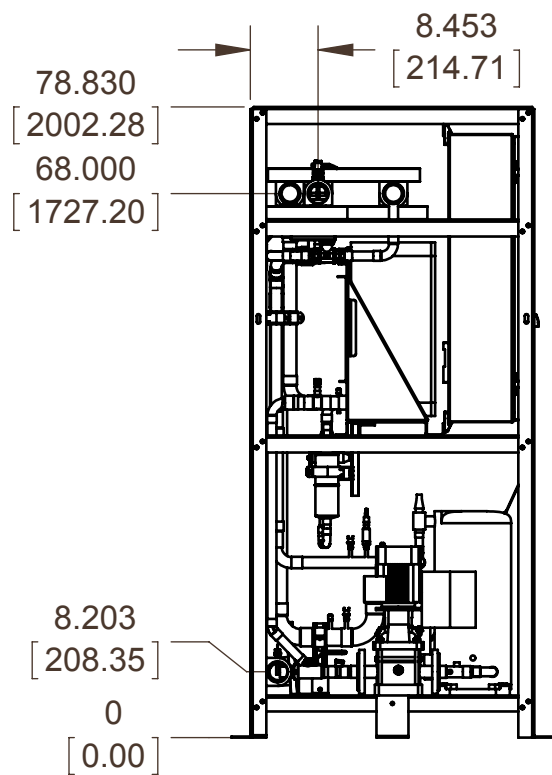
RECOMMENDED SERVICE CLEARANCE



LEFT

FRONT

RIGHT



TIE DOWN LOCATIONS

UNLESS OTHERWISE SPECIFIED:  
 DIMENSIONS ARE IN INCHES  
 TOLERANCES:  
 FRACTIONAL: ±1/16  
 ANGULAR: MACH ±1° BEND ±1°  
 TWO PLACE DECIMAL ±0.03  
 THREE PLACE DECIMAL ±0.031

COLMAC INDUSTRIES  
 401 N. Lincoln, Colville, Washington 99114  
 (509)684-4505

TITLE:  
**GENERAL SUBMITTAL  
 HPW24M**

DRAWN BY: RJD DATE: -  
 ENGINEER: - DATE: -  
 SOLIDWORKS AUTOCAD  
**DO NOT SCALE DRAWING**

SIZE: B DWG. NO.: **1010024-0004** REV: -  
 SCALE: 1:24 UNIT WT. SHEET 1 OF 1

PROPRIETARY AND CONFIDENTIAL  
 THE INFORMATION CONTAINED IN THIS DRAWING IS THE SOLE PROPERTY OF COLMAC INDUSTRIES. ANY REPRODUCTION IN PART OR AS A WHOLE WITHOUT THE WRITTEN PERMISSION OF COLMAC INDUSTRIES IS PROHIBITED.