

8 7 6 5 4 3 2 1

F

E

D

C

B

A

F

E

D

C

B

A

Unit Specifications:

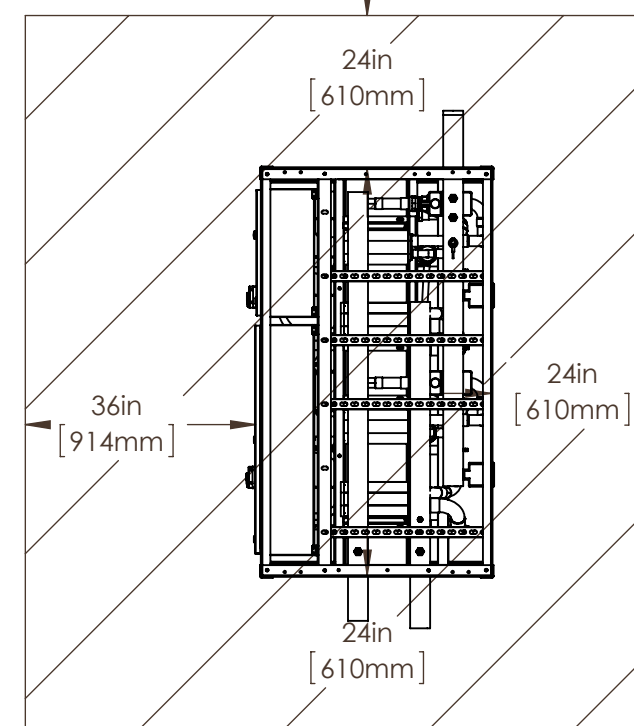
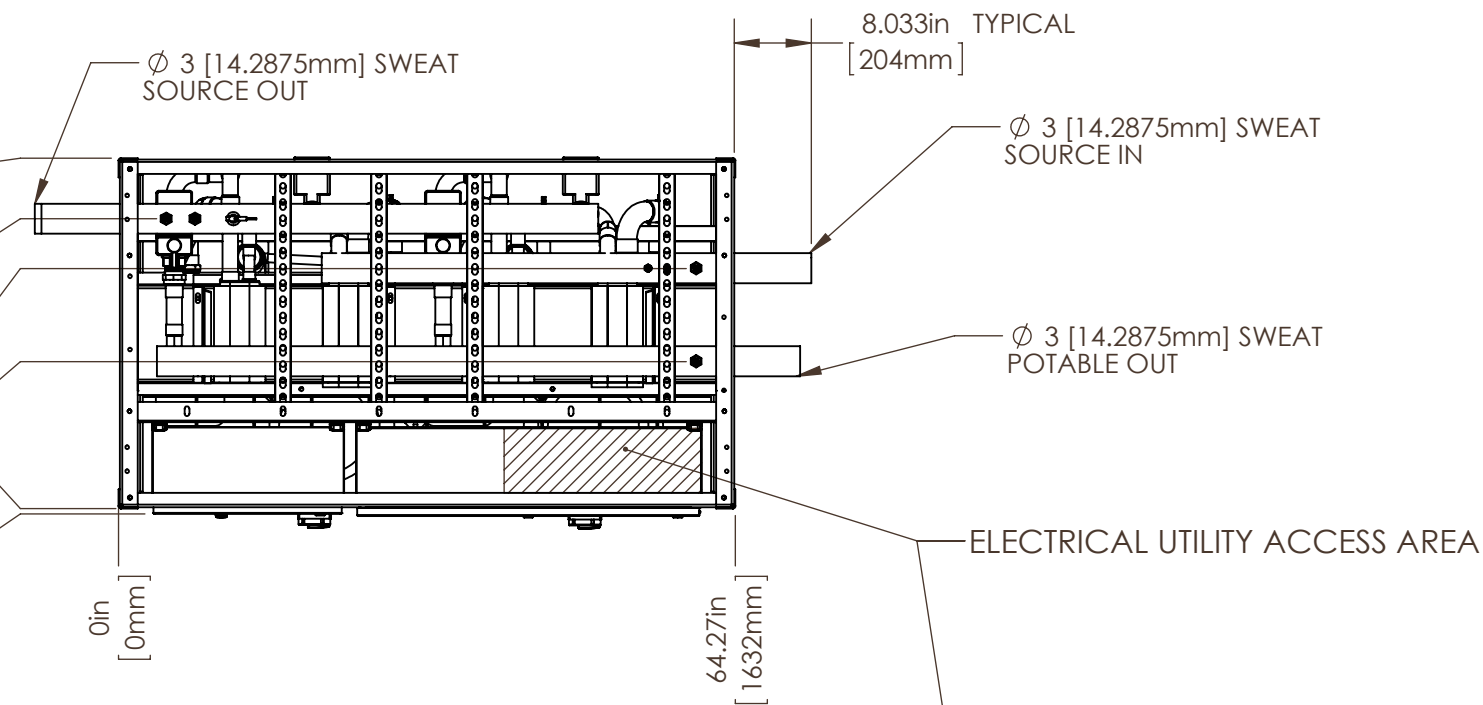
- Compressor: (2) Scroll, Copeland or Equivalent
- Condensers: (2) Vented Double Wall Brazed Plate
- Evaporators: (2) Single Wall Brazed Plate
- Potable Water Pump: (2) 1 HP (125 Max PSI, Standard)
- Source Water Pump: Provided by Others
- Control: Electromechanical
Microprocessor (PLC) (Optional)
- Frame: 304 SST (Standard)
- Approximate Ship Weight: 2550 lbs (EST)
- Refrigerant: R134a

- Available Options:
- Low Source Evaporator
 - High Source Kit
 - Insulated Cabinet
 - NEMA 1 Electrical Enclosure or Better
 - Spring Isolation Kit

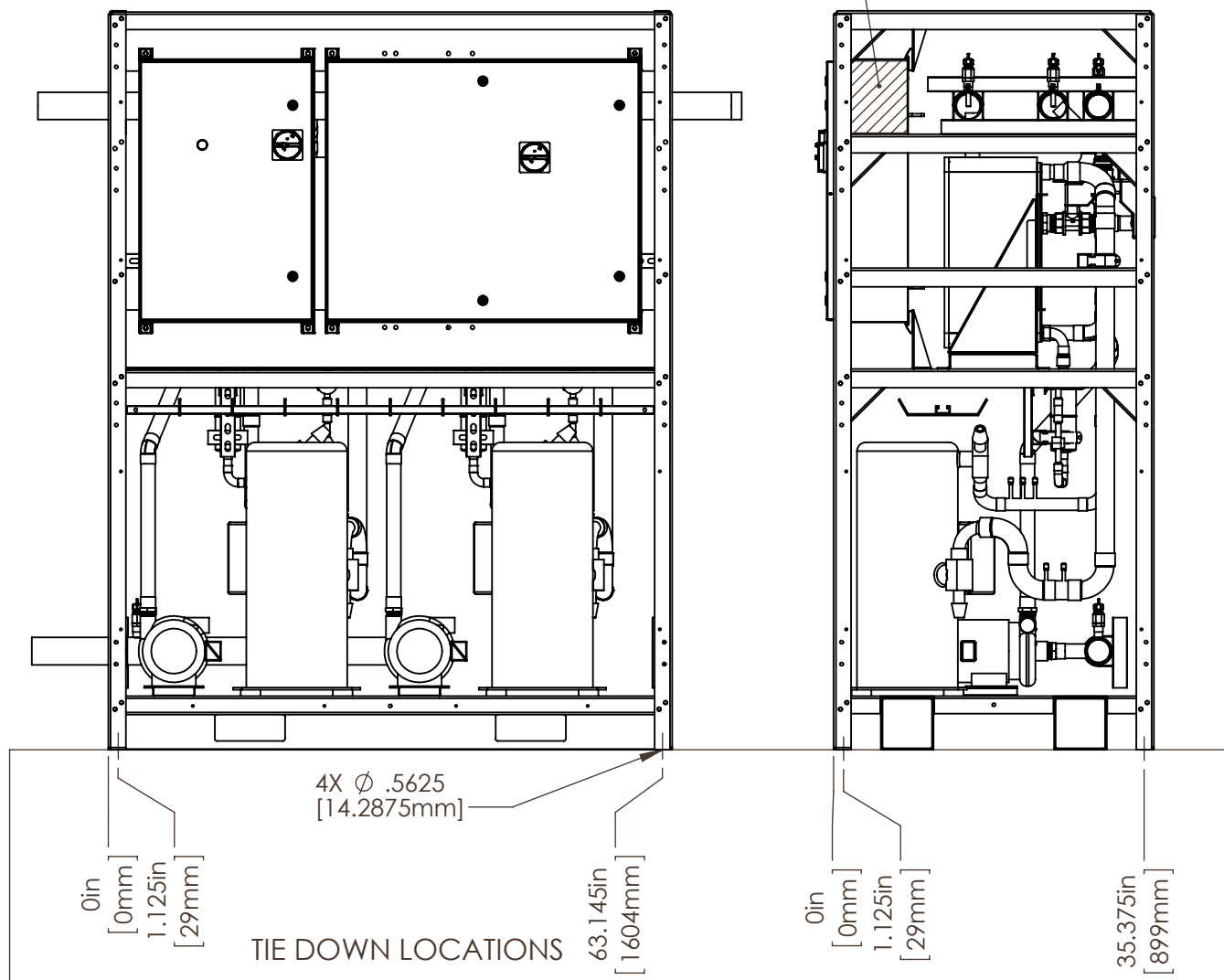
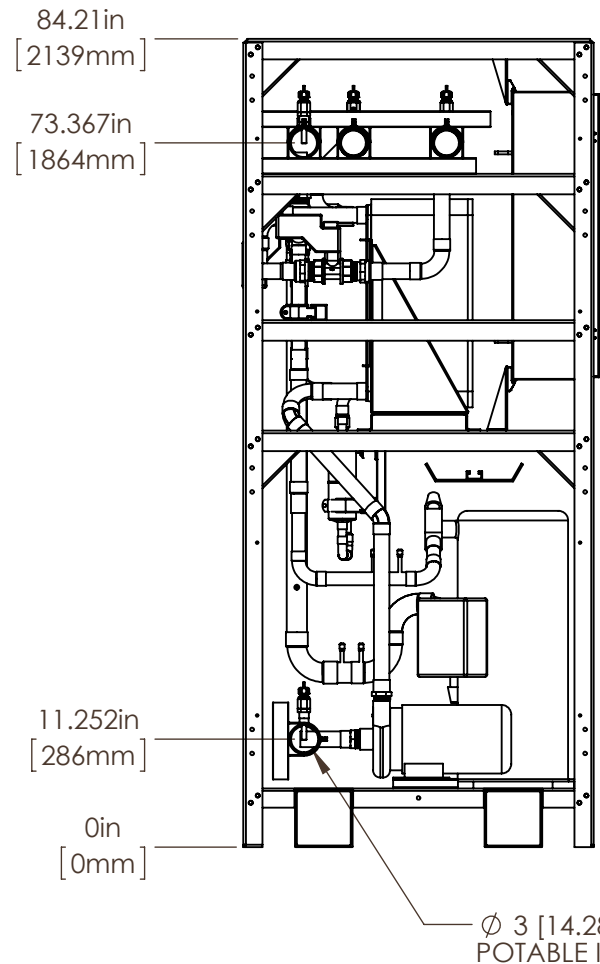
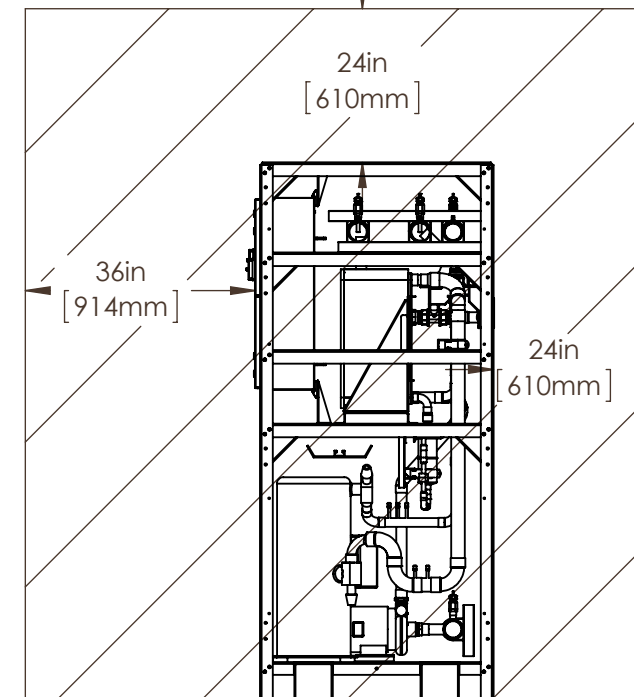
- Optional Cabinet Material
- Mill Finish Aluminum
 - Galvanized Steel
 - 304 Stainless Steel
 - 316 Stainless Steel

Note: Shown Without Cabinet Option For Clarity
Allow 3" In All Frame Dimensions For Cabinet
Cabinet Will Increase Ship Weight

- 37.073in [942mm]
- 30.761in [781mm]
- 25.553in [649mm]
- 15.86in [403mm]
- .573in [15mm]
- 0in [0mm]



RECOMMENDED SERVICE CLEARANCE



PROPRIETARY AND CONFIDENTIAL
THE INFORMATION CONTAINED IN THIS DRAWING IS THE SOLE PROPERTY OF COLMAC INDUSTRIES. ANY REPRODUCTION IN PART OR AS A WHOLE WITHOUT THE WRITTEN PERMISSION OF COLMAC INDUSTRIES IS PROHIBITED.

REV. No.	REV STATUS OF SHEET	SHT. No.	SCALE: 1:12	UNIT WT.	SHEET 1 OF 1
ENGINEER	DATE	DATE	SIZE	DWG. NO.	REV
	3/23/2015		B	1010030-0003	-
DRAWN BY: KLR		DATE: 3/23/2015		TITLE: GENERAL SUBMITTAL HPW30M	
ENGINEER: KLR		DATE: -		COLMAC INDUSTRIES 401 N. Lincoln, Colville, Washington 99114 (509)684-4505	
SOLIDWORKS		AUTOCAD		UNLESS OTHERWISE SPECIFIED: DIMENSIONS ARE IN INCHES TOLERANCES: FRACTIONAL: ±1/16 ANGULAR: MACH ±1° BEND ±1° TWO PLACE DECIMAL ±0.03 THREE PLACE DECIMAL ±0.031	

8 7 6 5 4 3 2 1