

8 7 6 5 4 3 2 1

F

E

D

C

B

A

F

E

D

C

B

A

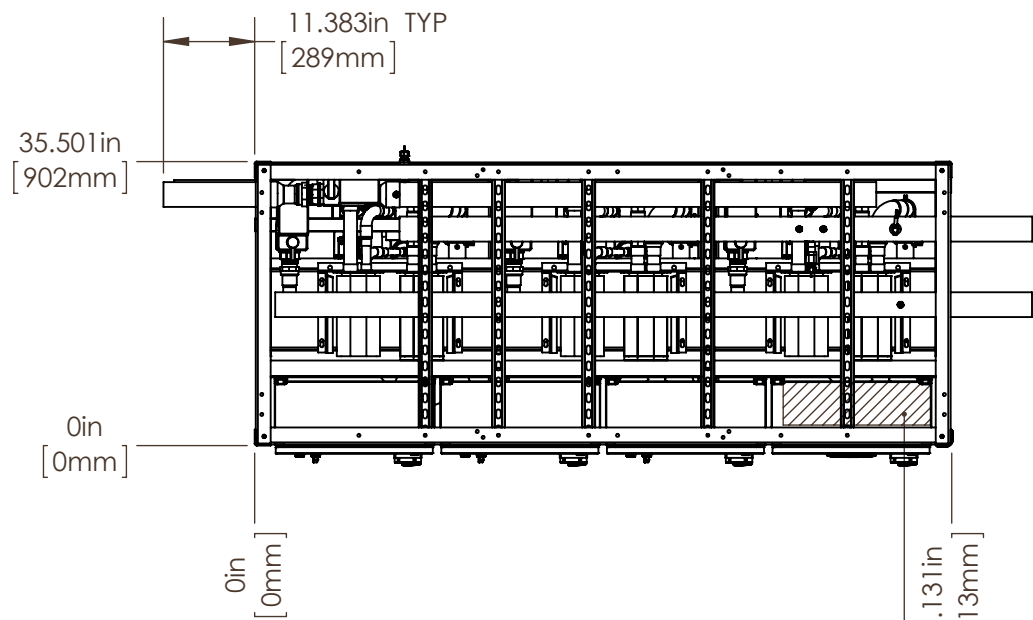
Unit Specifications:

- Compressor: (3) Scroll, Copeland or Equivalent
- Condensers: (3) Vented Double Wall Brazed Plate
- Evaporators: (3) Single Wall Brazed Plate
- Potable Water Pump: (6) 1/6 HP (150 Max PSI, Standard)
- Source Water Pump: Provided by Others
- Control: Electromechanical
- Microprocessor (PLC) (Optional)
- Frame: 304 SST (Standard)
- Approximate Ship Weight: 2855 lbs (EST)
- Refrigerant: R134a

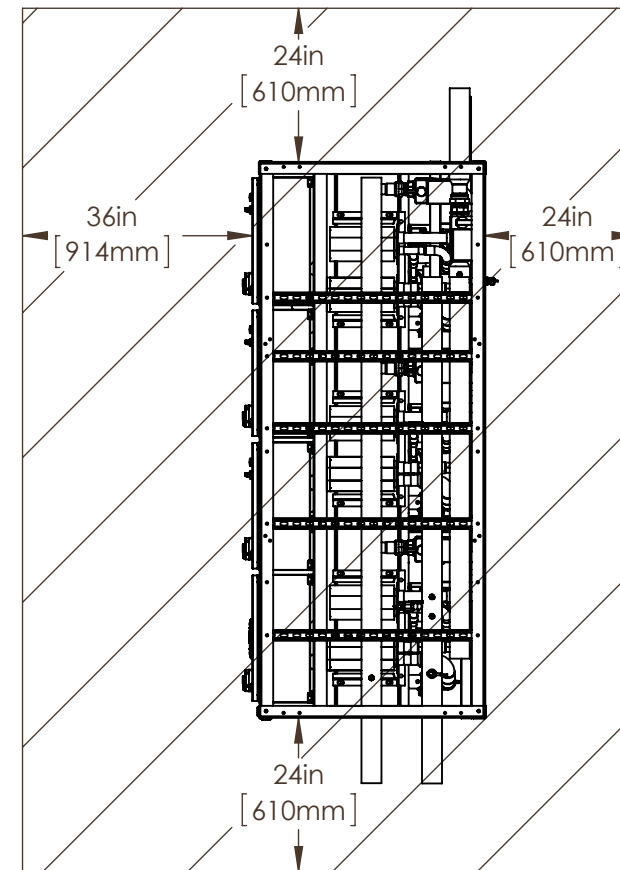
- Available Options:
- Low Source Evaporator
 - High Source Kit
 - Insulated Cabinet
 - NEMA 1 Electrical Enclosure or Better
 - Spring Isolation Kit

- Optional Cabinet Material
- Mill Finish Aluminum
 - Galvanized Steel
 - 304 Stainless Steel
 - 316 Stainless Steel

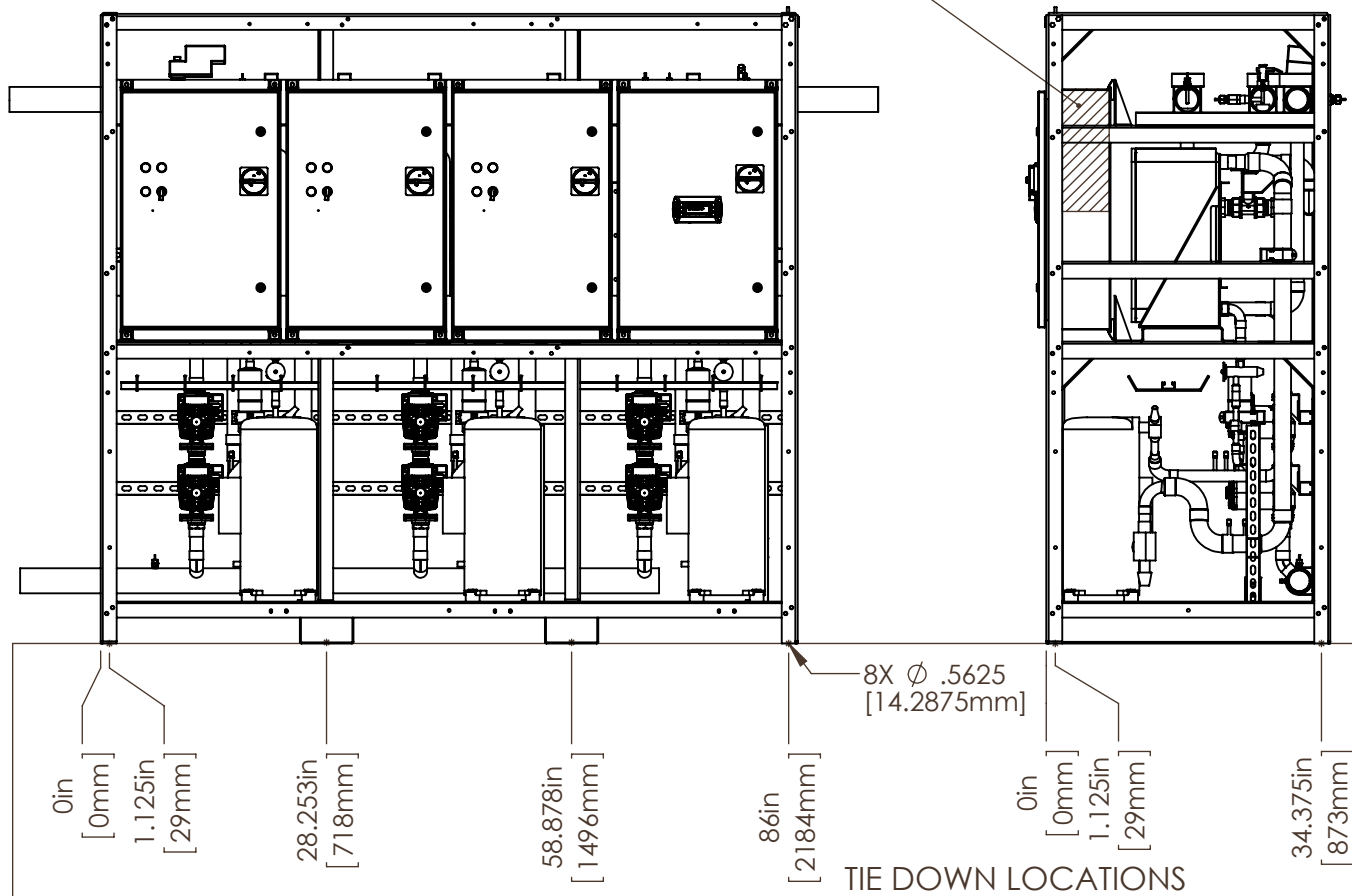
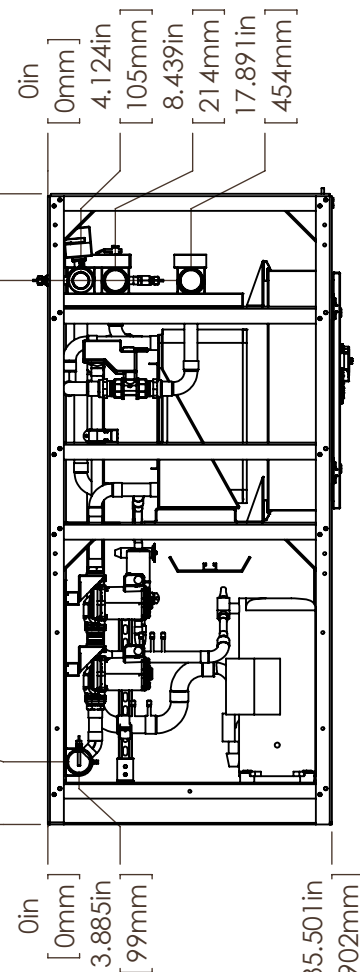
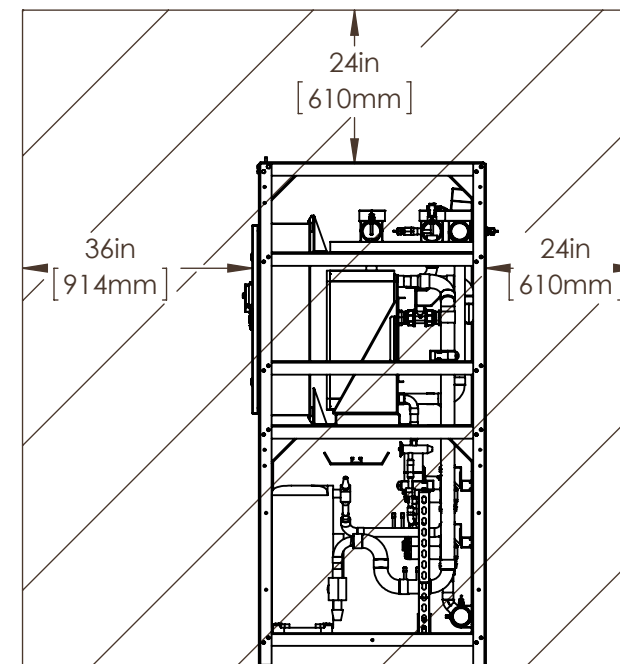
Note: Shown Without Cabinet Option For Clarity
 Allow 3" In All Frame Dimensions For Cabinet
 Cabinet Will Increase Ship Weight



ELECTRICAL UTILITY ACCESS AREA



RECOMMENDED SERVICE CLEARANCE



TIE DOWN LOCATIONS

PROPRIETARY AND CONFIDENTIAL
 THE INFORMATION CONTAINED IN THIS DRAWING IS THE SOLE PROPERTY OF COLMAC INDUSTRIES. ANY REPRODUCTION IN PART OR AS A WHOLE WITHOUT THE WRITTEN PERMISSION OF COLMAC INDUSTRIES IS PROHIBITED.

UNLESS OTHERWISE SPECIFIED: DIMENSIONS ARE IN INCHES TOLERANCES: FRACTIONAL ±1/16 ANGULAR: MACH±1° BEND ±1° TWO PLACE DECIMAL ±0.03 THREE PLACE DECIMAL ±0.031		COLMAC INDUSTRIES 401 N. Lincoln, Colville, Washington 99114 (509)684-4505	
DRAWN BY KLR		DATE 3/23/2015	
ENGINEER		DATE	
SOLIDWORKS		AUTOCAD	
DO NOT SCALE DRAWING		SCALE: 1:12	UNIT WT.
REV. No. SHT. No.		REV STATUS OF SHEET	
TITLE: GENERAL SUBMITTAL HPW 36M		SIZE B	DWG. NO. 1010036-0007
		REVISIONS	REV
			-
		SHEET 1 OF 1	

8 7 6 5 4 3 2 1