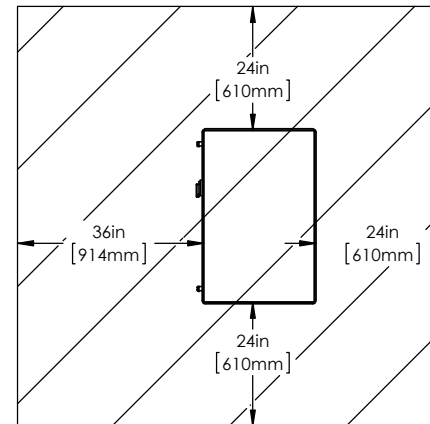
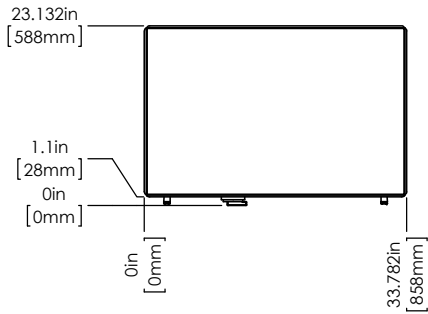


Unit Specifications:

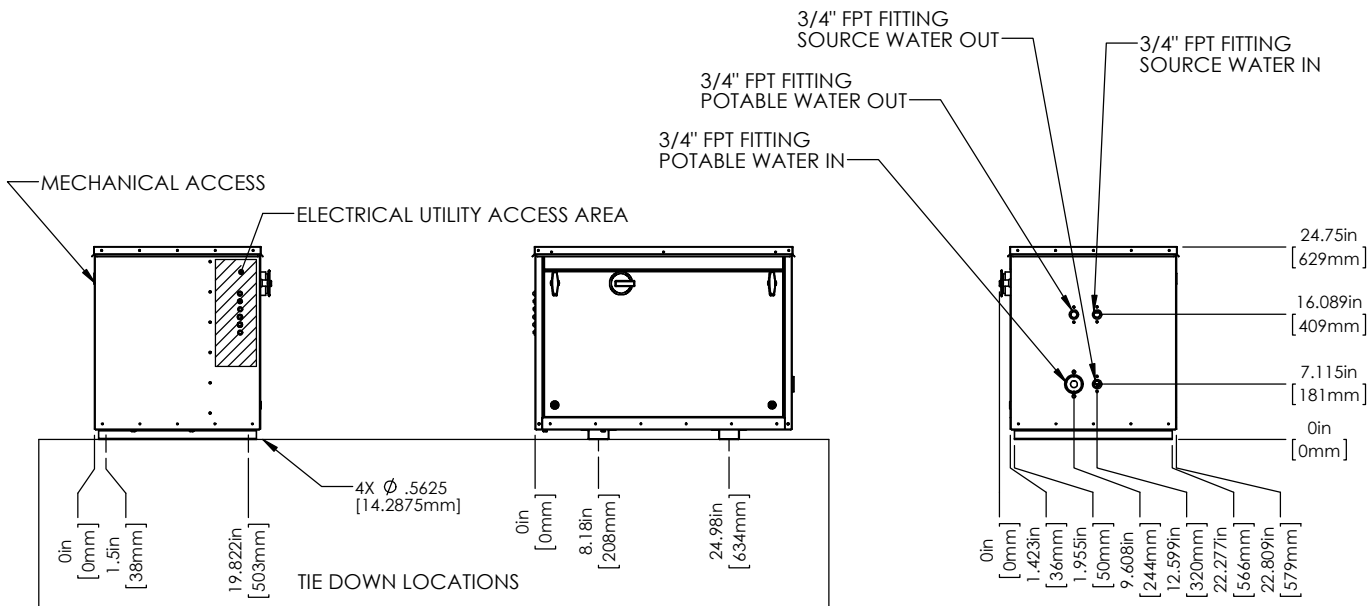
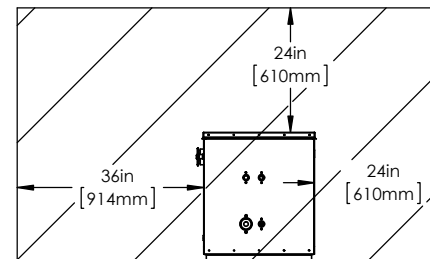
- Compressor: (1) Scroll, Copeland or Equivalent
- Condensers: (1) Vented Double Wall Brazed Plate
- Evaporators: (1) Single Wall Brazed Plate
- Potable Water Pump: (1) 1/8 HP (125 Max PSI, Standard)
- Source Water Pump: Provided by Others
- Control: Electromechanical
- Microprocessor (PLC) (Optional)
- Frame: 304 SST (Standard)
- Approximate Ship Weight: 385 lbs (EST)
- Refrigerant: R134a

- Available Options:
- Low Source Evaporator
  - High Source Kit
  - Insulated Cabinet
  - NEMA 1 Electrical Enclosure or Better
  - Spring Isolation Kit

- Cabinet Material Options:
- Mill Finish Aluminum
  - Galvanized Steel
  - 304 Stainless Steel
  - 316 Stainless Steel



RECOMMENDED SERVICE CLEARANCE



UNLESS OTHERWISE SPECIFIED:  
 DIMENSIONS ARE IN INCHES  
 TOLERANCES:  
 FRACTIONAL ±1/16  
 ANGULAR, MACH ±1° BEND ±1°  
 TWO PLACE DECIMAL ±0.03  
 THREE PLACE DECIMAL ±0.031

COLMAC INDUSTRIES  
 401 N. Lincoln, Colville, Washington 99114  
 (509)684-4505

TITLE:  
**GENERAL SUBMITTAL  
 HPW 4**

DRAWN BY: **KLR** DATE: **8/3/23/2015**  
 ENGINEER: DATE:

SIZE: **B** DWG. NO.: **1010004-0019** REV: **A**

PROPRIETARY AND CONFIDENTIAL  
 THE INFORMATION CONTAINED IN THIS DRAWING IS THE SOLE PROPERTY OF COLMAC INDUSTRIES. ANY REPRODUCTION IN PART OR AS A WHOLE WITHOUT THE WRITTEN PERMISSION OF COLMAC INDUSTRIES IS PROHIBITED.

REV. No.	REV STATUS OF SHEET

SOLIDWORKS  AUTOCAD:   
**DO NOT SCALE DRAWING**

SCALE: 1:12 UNIT WT. SHEET 1 OF 1

4/22/2015  
 1010004-0019