

1010007-0010

3/27/2015

8 7 6 5 4 3 2 1

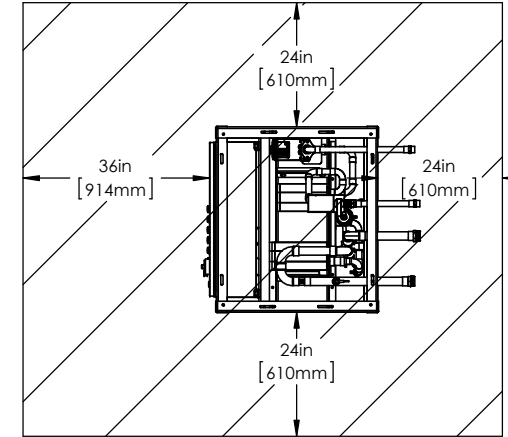
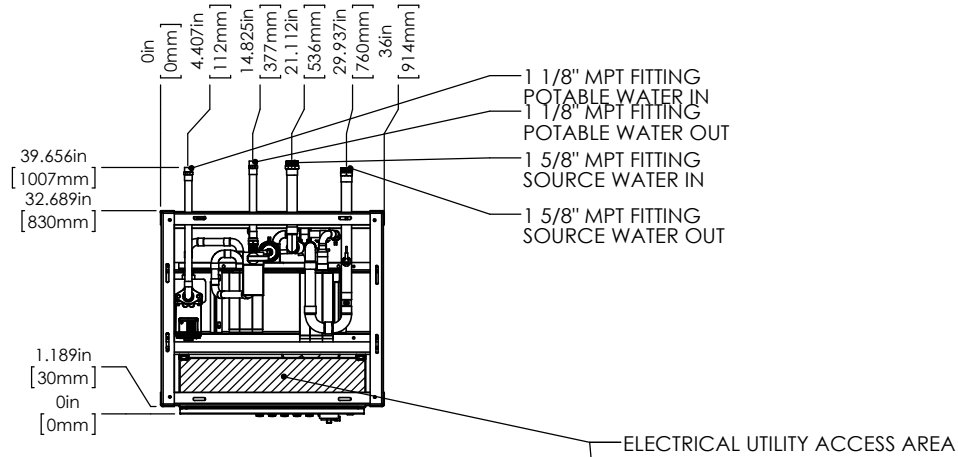
Unit Specifications:

- Compressor: (1) Scroll, Copeland or Equivalent
- Condensers: (1) Vented Double Wall Brazed Plate
- Evaporators: (1) Single Wall Brazed Plate
- Potable Water Pump: (1) 1/6 HP (150 Max PSI, Standard)
- Source Water Pump: Provided by Others
- Control: Electromechanical
- Microprocessor (PLC) (Optional)
- Frame: 304 SST (Standard)
- Approximate Ship Weight: 880 lbs (EST)
- Refrigerant: R134a

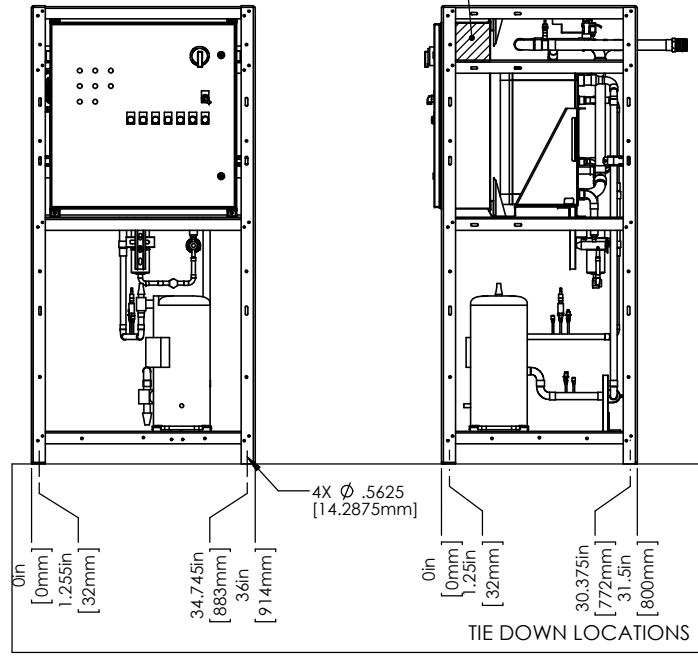
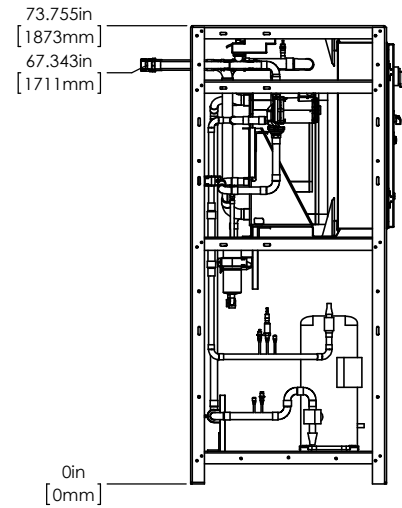
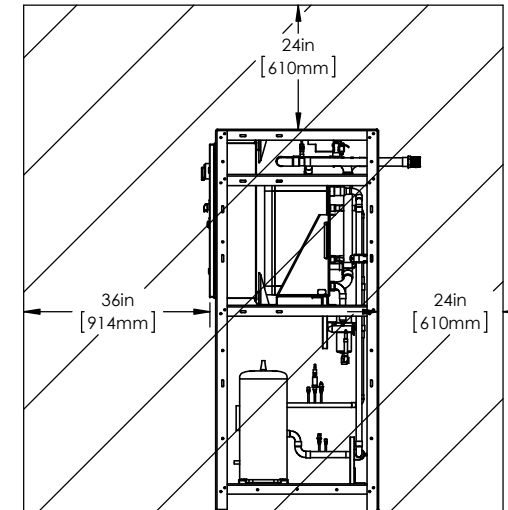
- Available Options:
- Low Source Evaporator
- High Source Kit
- Insulated Cabinet
- NEMA 1 Electrical Enclosure or Better
- Spring Isolation Kit

- Optional Cabinet Material
- Mill Finish Aluminum
- Galvanized Steel
- 304 Stainless Steel
- 316 Stainless Steel

Note: Shown Without Cabinet Option For Clarity
 Allow 3" In All Frame Dimensions For Cabinet
 Cabinet Will Increase Ship Weight



RECOMMENDED SERVICE CLEARANCE



TIE DOWN LOCATIONS

UNLESS OTHERWISE SPECIFIED:
 DIMENSIONS ARE IN INCHES
 TOLERANCES:
 FRACTIONAL: ±1/16
 ANGULAR: MACH ±1° BEND ±1°
 TWO PLACE DECIMAL ±0.03
 THREE PLACE DECIMAL ±0.031

COLMAC INDUSTRIES
 401 N. Lincoln, Colville, Washington 99114
 (509)684-4505
 TITLE:
**GENERAL SUBMITTAL
 HPW 7**

DRAWN BY: KLR DATE: 3/23/2015
 ENGINEER: DATE:

SIZE: B DWG. NO.: 1010007-0010 REV:

SOLIDWORKS AUTOCAD
 DO NOT SCALE DRAWING

SCALE: 1:12 UNIT WT. SHEET 1 OF 1

PROPRIETARY AND CONFIDENTIAL
 THE INFORMATION CONTAINED IN THIS DRAWING IS THE SOLE PROPERTY OF COLMAC INDUSTRIES. ANY REPRODUCTION IN PART OR AS A WHOLE WITHOUT THE WRITTEN PERMISSION OF COLMAC INDUSTRIES IS PROHIBITED.

8 7 6 5 4 3 2 1

3/27/2015

1010007-0010