

Unit Specifications:

- Compressor: (2) Scroll, Copeland or Equivalent
- Condensers: (2) Vented Double Wall Brazed Plate
- Evaporators: (2) Single Wall Brazed Plate
- Potable Water Pump: (2) 1/8 HP (125 Max PSI, Standard)
- Source Water Pump: Provided by Others
- Control: Electromechanical  
Microprocessor (PLC) (Optional)
- Frame: 304 SST (Standard)
- Approximate Ship Weight: 1200 lbs (EST)
- Refrigerant: R134a

- Available Options:
- Low Source Evaporator
  - High Source Kit
  - Insulated Cabinet
  - Spring Isolation Kit

- Cabinet Material Options:
- Mill Finish Aluminum
  - Galvanized Steel
  - 304 Stainless Steel
  - 316 Stainless Steel

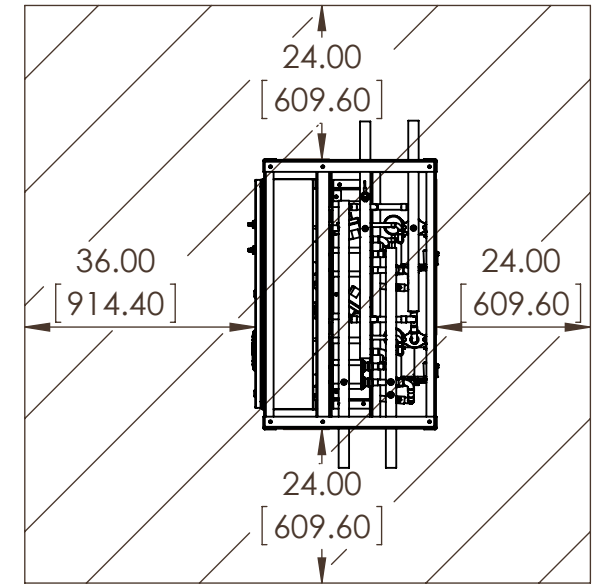
1-1/2" NOM. SWEAT POTABLE INLET

1-1/2" NOM. SWEAT SOURCE INLET

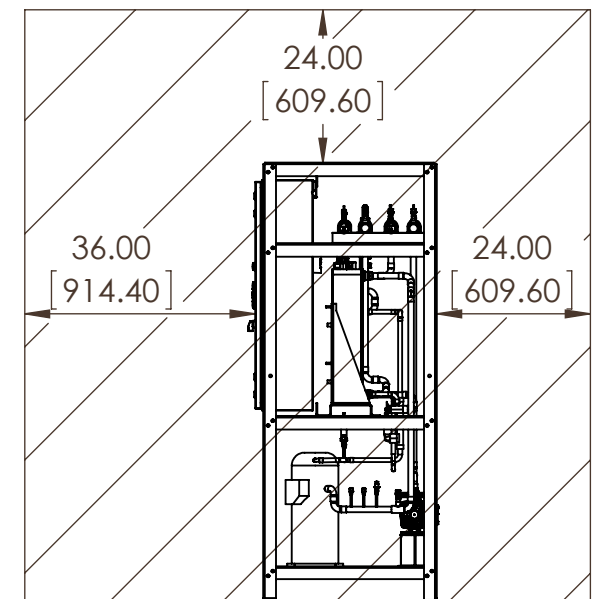
1-1/2" NOM. SWEAT SOURCE OUTLET

1-1/2" NOM. SWEAT POTABLE OUTLET

ELECTRICAL ACCESS



RECOMMENDED SERVICE CLEARANCE



F

E

D

C

B

A

F

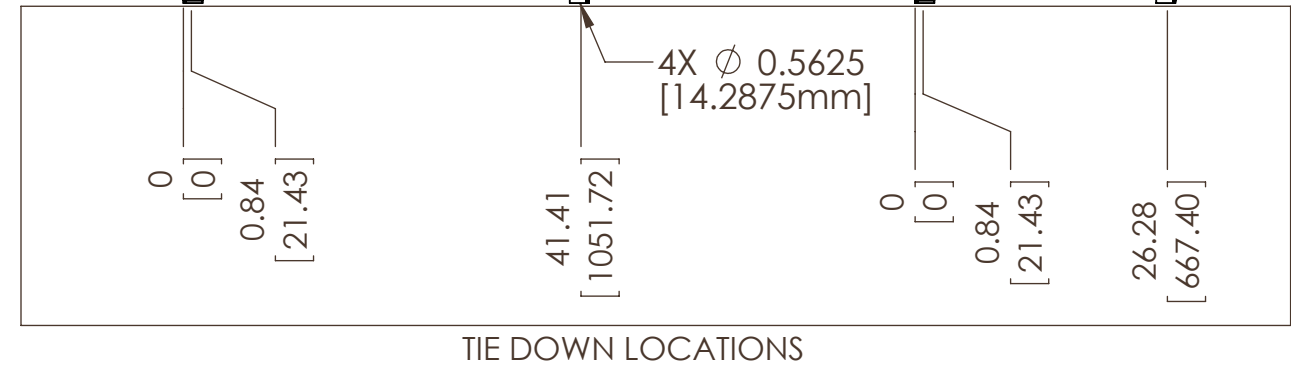
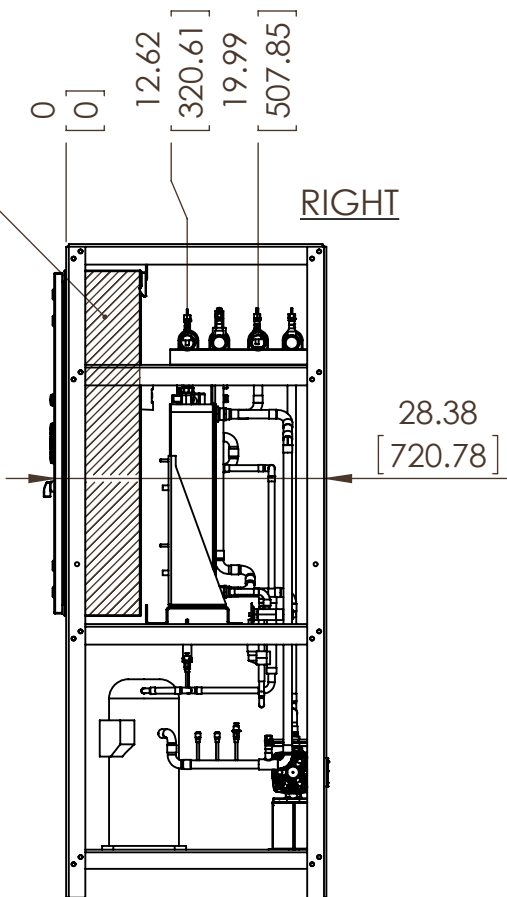
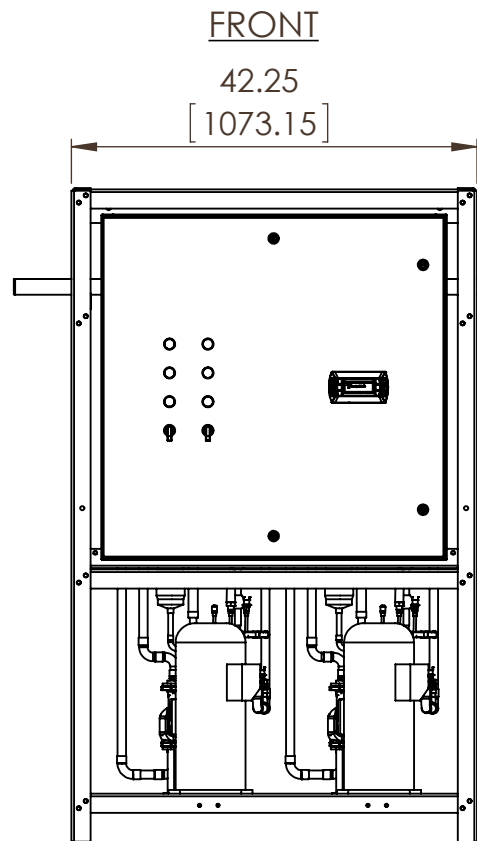
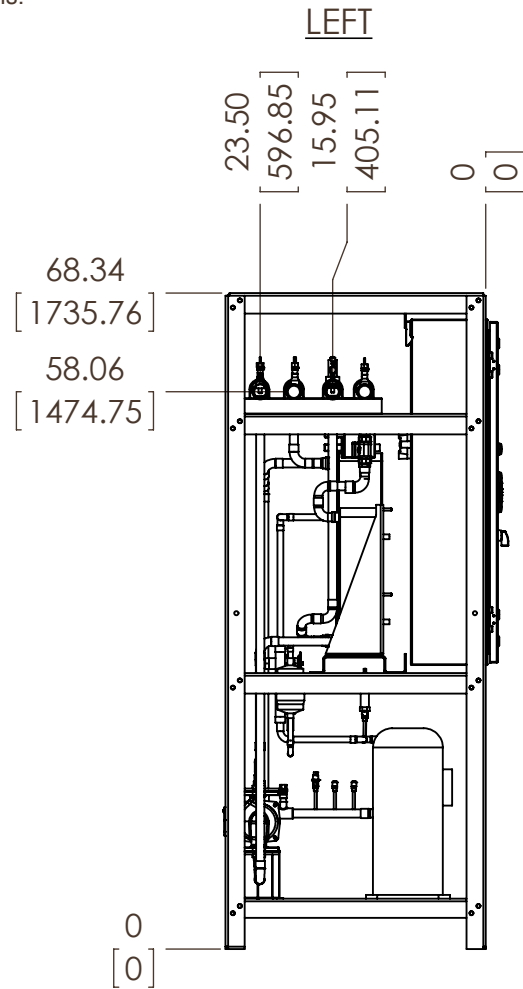
E

D

C

B

A



TIE DOWN LOCATIONS

PROPRIETARY AND CONFIDENTIAL THE INFORMATION CONTAINED IN THIS DRAWING IS THE SOLE PROPERTY OF COLMAC INDUSTRIES. ANY REPRODUCTION IN PART OR AS A WHOLE WITHOUT THE WRITTEN PERMISSION OF COLMAC INDUSTRIES IS PROHIBITED.

UNLESS OTHERWISE SPECIFIED: DIMENSIONS ARE IN INCHES TOLERANCES: FRACTIONAL: ±1/16 ANGULAR: MACH ±1° BEND ±1° TWO PLACE DECIMAL ±0.03 THREE PLACE DECIMAL ±0.031		COLMAC INDUSTRIES 401 N. Lincoln, Colville, Washington 99114 (509)684-4505	
DRAWN BY: GPK DATE: 10/15/15		TITLE: GENERAL SUBMITTAL HPW8M	
ENGINEER: DATE:		SIZE: B	DWG. NO.: 1010008-0004
REV. No. REV STATUS OF SHEET		SCALE: 1:1	UNIT WT.
SHT. No.		DO NOT SCALE DRAWING	SHEET 1 OF 1