

1010009-0008

2/17/2016

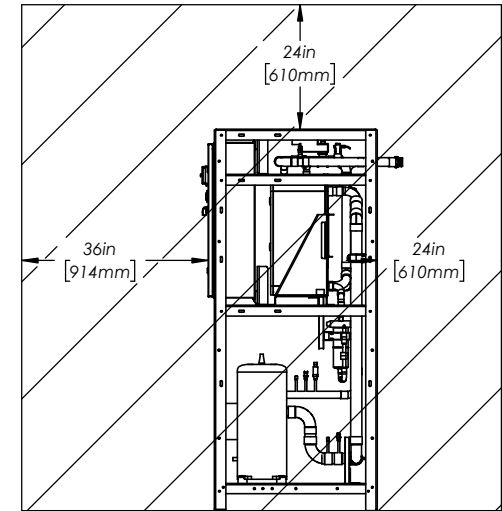
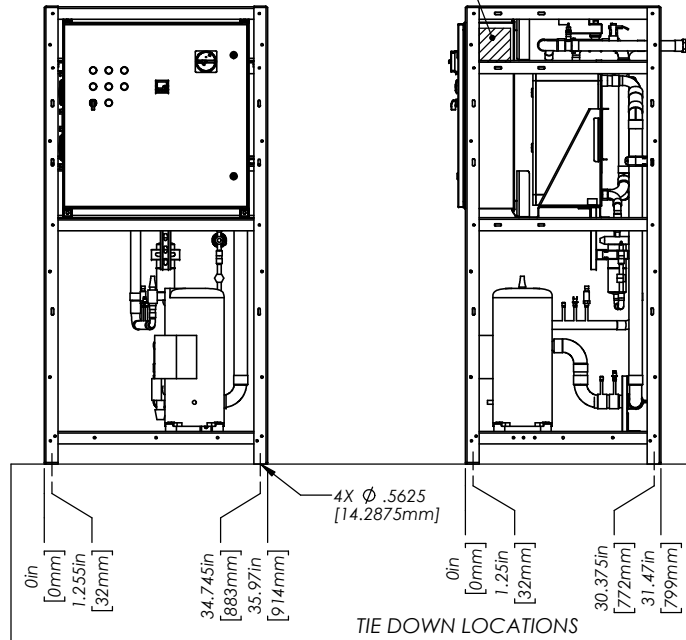
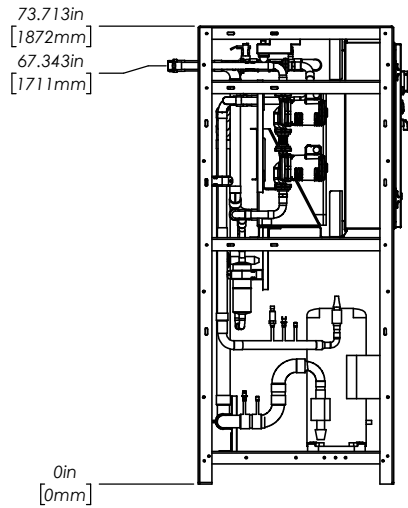
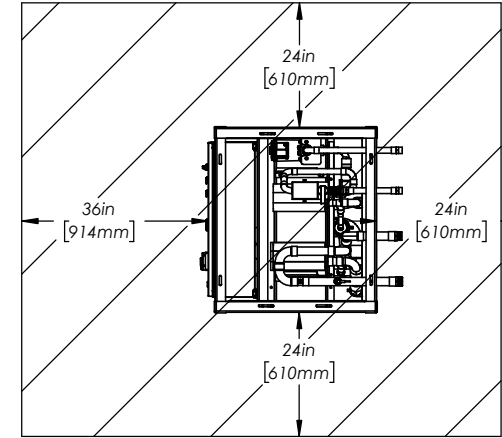
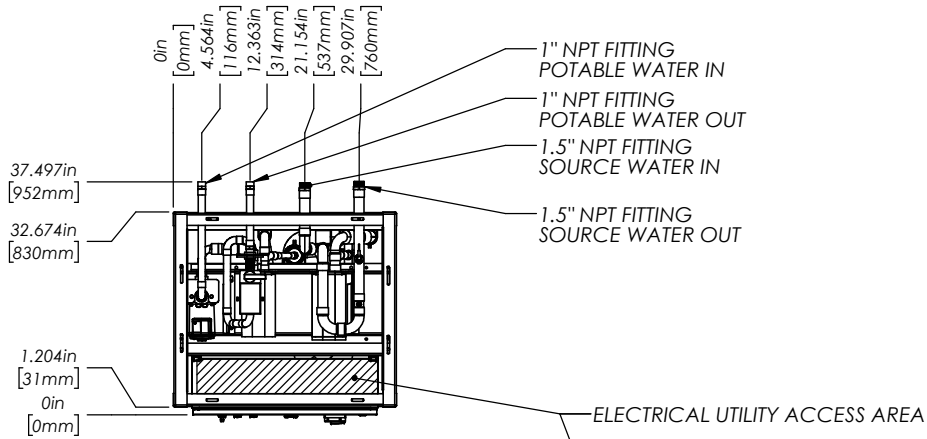
Unit Specifications:

- Compressor: (1) Scroll, Copeland or Equivalent
- Condensers: (1) Vented Double Wall Brazed Plate
- Evaporators: (1) Single Wall Brazed Plate
- Potable Water Pump: (1) 1/3 HP (145 Max PSI, Standard)
- Source Water Pump: Provided by Others
- Control: Electromechanical
- Microprocessor (PLC) (Optional)
- Frame: 304 SST (Standard)
- Approximate Ship Weight: 960 lbs (EST)
- Refrigerant: R134a

- Available Options:
- Low Source Evaporator
  - High Source Kit
  - Insulated Cabinet
  - NEMA 1 Electrical Enclosure or Better
  - Spring Isolation Kit

- Optional Cabinet Material
- Mill Finish Aluminum
  - Galvanized Steel
  - 304 Stainless Steel
  - 316 Stainless Steel

Note: Shown Without Cabinet Option For Clarity  
Allow 3" In All Frame Dimensions For Cabinet  
Cabinet Will Increase Ship Weight



PROPRIETARY AND CONFIDENTIAL  
THE INFORMATION CONTAINED IN THIS DRAWING IS THE SOLE PROPERTY OF COLMAC INDUSTRIES. ANY REPRODUCTION IN PART OR AS A WHOLE WITHOUT THE WRITTEN PERMISSION OF COLMAC INDUSTRIES IS PROHIBITED.

UNLESS OTHERWISE SPECIFIED:  
DIMENSIONS ARE IN INCHES  
TOLERANCES:  
FRACTIONAL: ±1/16  
ANGULAR: MACH ±1° BEND ±1°  
TWO PLACE DECIMAL ±0.03  
THREE PLACE DECIMAL ±0.031

COLMAC INDUSTRIES  
401 N. Lincoln, Colville, Washington 99114  
(509)684-4505

TITLE:  
GENERAL SUBMITTAL  
HPW 9-12

DRAWN BY: KLR DATE: 3/23/2015  
ENGINEER: DATE:

SIZE: B DWG. NO. 1010009-0008 REV

REV. No. REV STATUS OF SHEET SHT. No. DO NOT SCALE DRAWING

SCALE: 1:12 UNIT WT. SHEET 1 OF 1

8

7

6

5

4

3

2

1

2/17/2016

1010009-0008