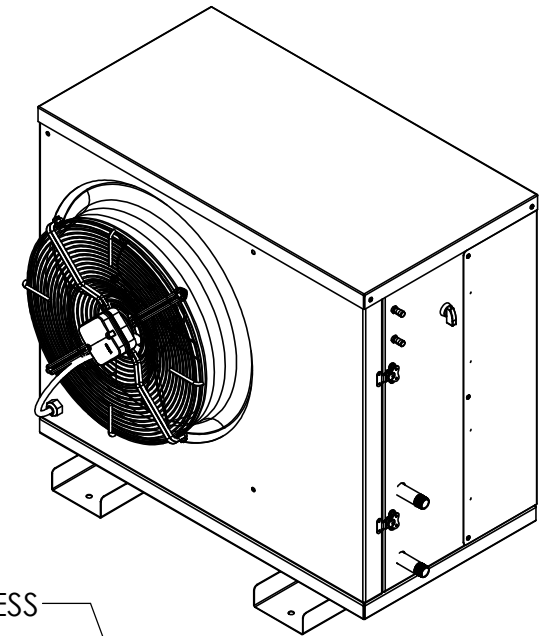
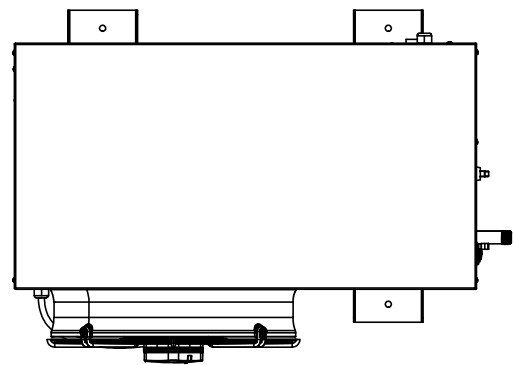


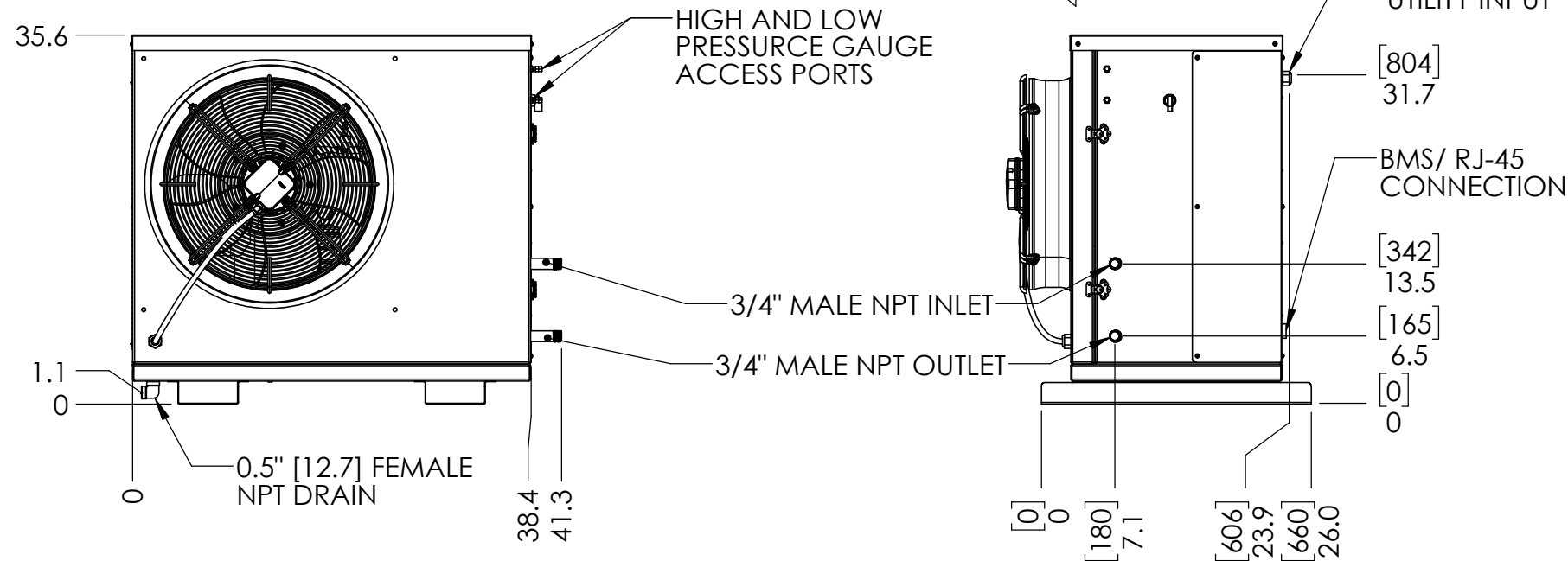
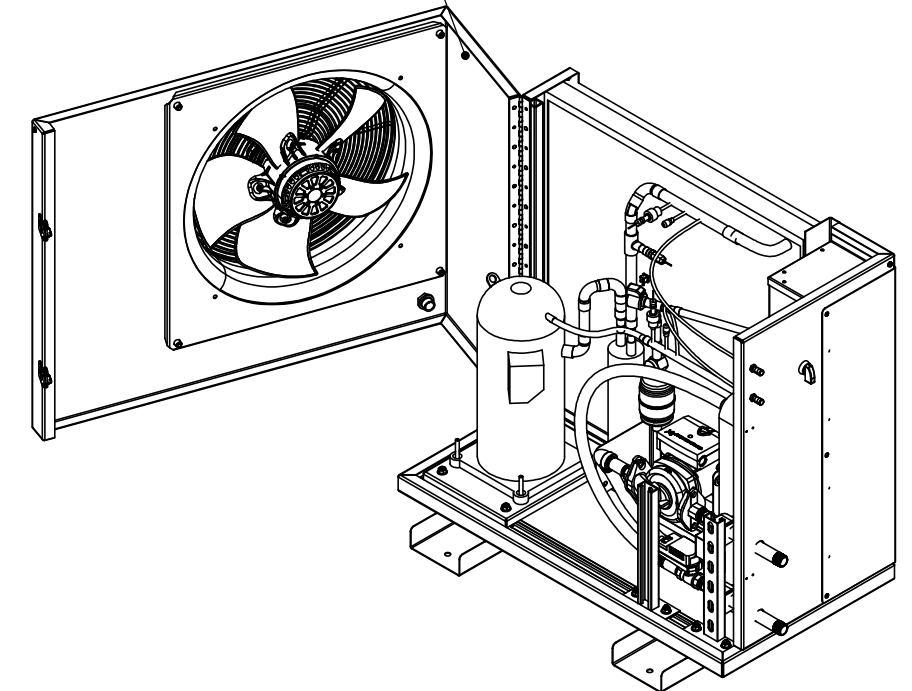
UNIT SPECIFICATIONS

COMPRESSOR: (1) 5 HP SCROLL
 CONDENSER: (1) BRAZED PLATE, DOUBLE WALL VENTED 316 SST
 EVAPORATOR: (1) AL MICROCHANNEL (ELECTROCOAT OPTION)
 POTABLE PUMP: (1) INCLUDED, STAINLESS STEEL
 150 PSI MAX WORKING PRESSURE
 FAN: (1) AC,
 AIRFLOW: 4000 CFM AT 0" ADDITIONAL WG
 CONTROL: MICROPROCESSOR (PLC) & TOUCHSCREEN
 CABINET: 304 SST
 REFRIGIERANT: R-134a
 CRATED WEIGHT: 615 LBS (279 KG)

ELECTRICAL SUPPLY: 230V / 60 HZ / 3 PH
 FLA: 24.83 A
 MCA: 29.83 A
 MOP: 20 A
 FEEDER WIRE: 10 AWG [5.26 MM^2]
 ELECTRICAL SUPPLY: 200V / 50 HZ / 3 PH
 FLA: 23.95 A
 MCA: 28.95 A
 MOP: 20 A
 FEEDER WIRE: 10 AWG [5.26 MM^2]

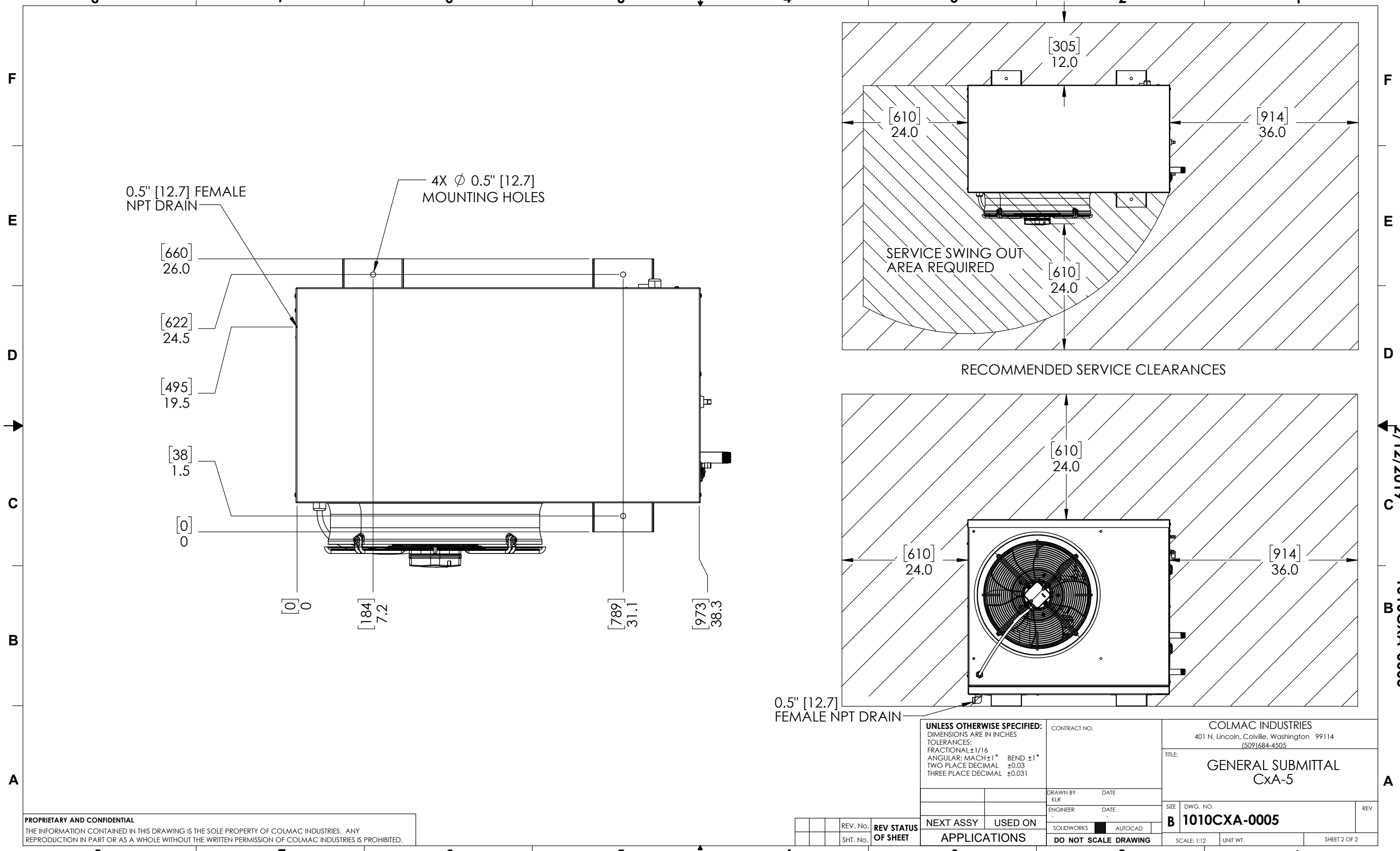


HINGED SERVICE ACCESS



UNLESS OTHERWISE SPECIFIED: DIMENSIONS ARE IN INCHES TOLERANCES: FRACTIONAL ±1/16 ANGULAR: MACH ±1° BEND ±1° TWO PLACE DECIMAL ±0.03 THREE PLACE DECIMAL ±0.031	CONTRACT NO.	COLMAC INDUSTRIES 401 N. Lincoln, Colville, Washington 99114 (509)684-4505	
	TITLE:	GENERAL SUBMITTAL CxA-5	
DRAWN BY KLR	DATE	SIZE	DWG. NO.
ENGINEER	DATE	B	1010CXA-0005
NEXT ASSY	USED ON	SOLIDWORKS	AUTOCAD
APPLICATIONS		DO NOT SCALE DRAWING	
REV. No.	REV STATUS OF SHEET	SCALE: 1:12	UNIT WT.
SHT. No.		SHEET 1 OF 2	

PROPRIETARY AND CONFIDENTIAL
 THE INFORMATION CONTAINED IN THIS DRAWING IS THE SOLE PROPERTY OF COLMAC INDUSTRIES. ANY REPRODUCTION IN PART OR AS A WHOLE WITHOUT THE WRITTEN PERMISSION OF COLMAC INDUSTRIES IS PROHIBITED.



PROPRIETARY AND CONFIDENTIAL
 THE INFORMATION CONTAINED IN THIS DRAWING IS THE SOLE PROPERTY OF COLMAC INDUSTRIES. ANY REPRODUCTION IN PART OR AS A WHOLE WITHOUT THE WRITTEN PERMISSION OF COLMAC INDUSTRIES IS PROHIBITED.

UNLESS OTHERWISE SPECIFIED:
 DIMENSIONS ARE IN INCHES
 TOLERANCES:
 FRACTIONAL ±1/16
 ANGULAR: MACH ±1° BEND ±1°
 TWO PLACE DECIMAL ±0.03
 THREE PLACE DECIMAL ±0.031

CONTRACT NO.	
DRAWN BY KLR	DATE
ENGINEER	DATE
SOLIDWORKS	AUTOCAD

COLMAC INDUSTRIES
 401 N. Lincoln, Colville, Washington 99114
 (509)684-4505

TITLE:
**GENERAL SUBMITTAL
 CxA-5**

REV. No.	REV STATUS OF SHEET
SHT. No.	

NEXT ASSY	USED ON
APPLICATIONS	

DO NOT SCALE DRAWING

SIZE	DWG. NO.	REV
B	1010CXA-0005	
SCALE: 1:12	UNIT WT.	SHEET 2 OF 2