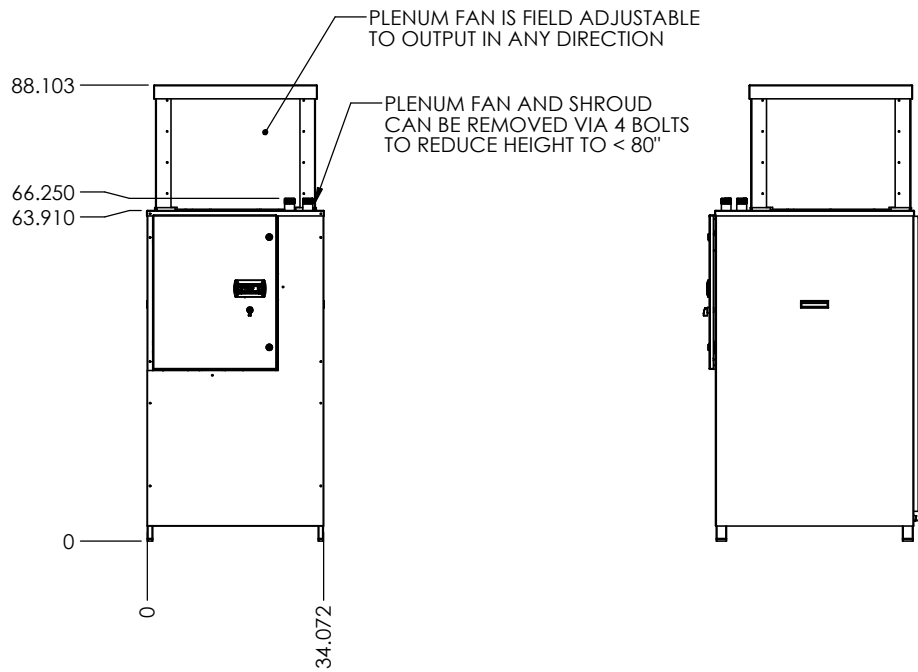
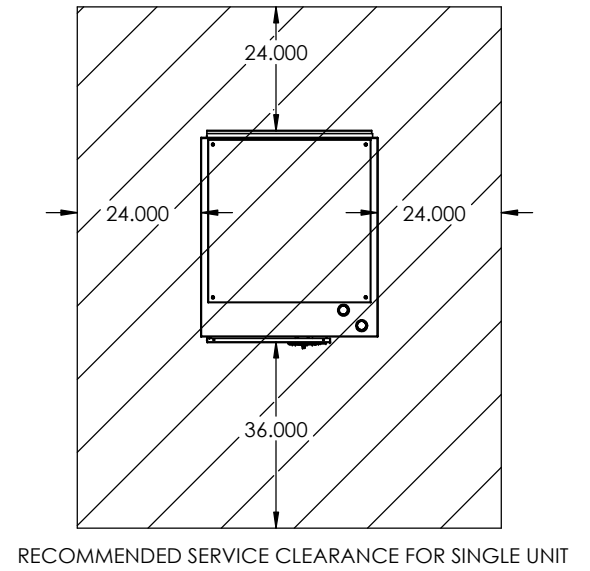
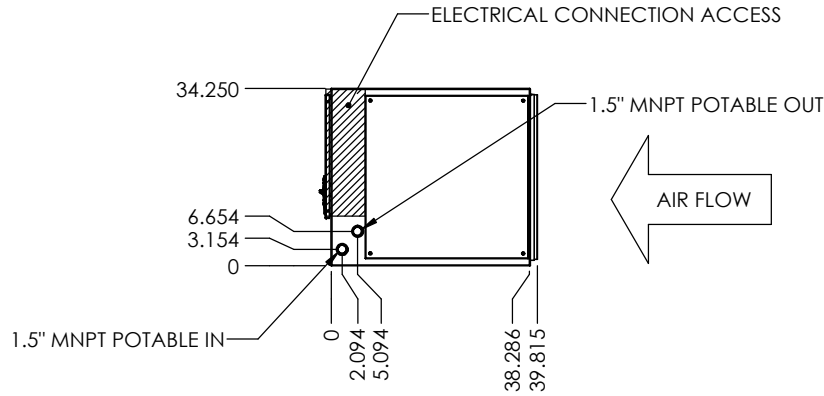


1010CXA-0015

7/18/2018

Unit Specifications:

- Compressor: (1) Scroll, Copeland or Equivalent
- Condensers: (1) Brazed Plate
- Evaporators: (1) Aluminum Micro Channel
- Potable Water Pump: (1) Standard, 150 Max Working Pressure
- Source Air Fan: EC Fan Motor; 0.1" H2O Available.
- Maximum Source Flow Rate: 4000 CFM
- Control: Microprocessor (PLC)
- Frame: 304 SST
- Refrigerant: 134a



UNLESS OTHERWISE SPECIFIED: DIMENSIONS ARE IN INCHES TOLERANCES: FRACTIONAL: ±1/16 ANGULAR: MACH ±1° BEND ±1° TWO PLACE DECIMAL: ±0.03 THREE PLACE DECIMAL: ±0.031	CONTRACT NO.	COLMAC INDUSTRIES 401 N. Lincoln, Colville, Washington 99114 (509)684-4505	
	DRAWN BY: KLR	DATE:	TITLE: CX1 10-15 SUBMITTAL DRAWING WITH PLENUM FAN
	ENGINEER:	DATE:	SIZE: B
	SOLIDWORKS	AUTOCAD	DWG. NO.: 1010CXA-0015
NEXT ASSY	USED ON	DO NOT SCALE DRAWING	SCALE: 1:24 UNIT WT. SHEET 1 OF 1

PROPRIETARY AND CONFIDENTIAL
 THE INFORMATION CONTAINED IN THIS DRAWING IS THE SOLE PROPERTY OF COLMAC INDUSTRIES. ANY REPRODUCTION IN PART OR AS A WHOLE WITHOUT THE WRITTEN PERMISSION OF COLMAC INDUSTRIES IS PROHIBITED.

1010CXA-0015

7/18/2018