

Unit Specifications:

- Compressor: (1) Scroll, Copeland or Equivalent
- Condensers: (1) Brazed Plate, Double Wall
- Evaporators: (1) Aluminum Micro Channel
- Potable Water Pump: (1) Standard, 150 PSI Max Working Pressure
- Source Air Fan: EC Axial Fan Motor; 0.25" H2O Available.
- Maximum Source Flow Rate: 10,000 CFM
- Control: Microprocessor (PLC)
- Frame: 304 SST
- Refrigerant: 134a

F

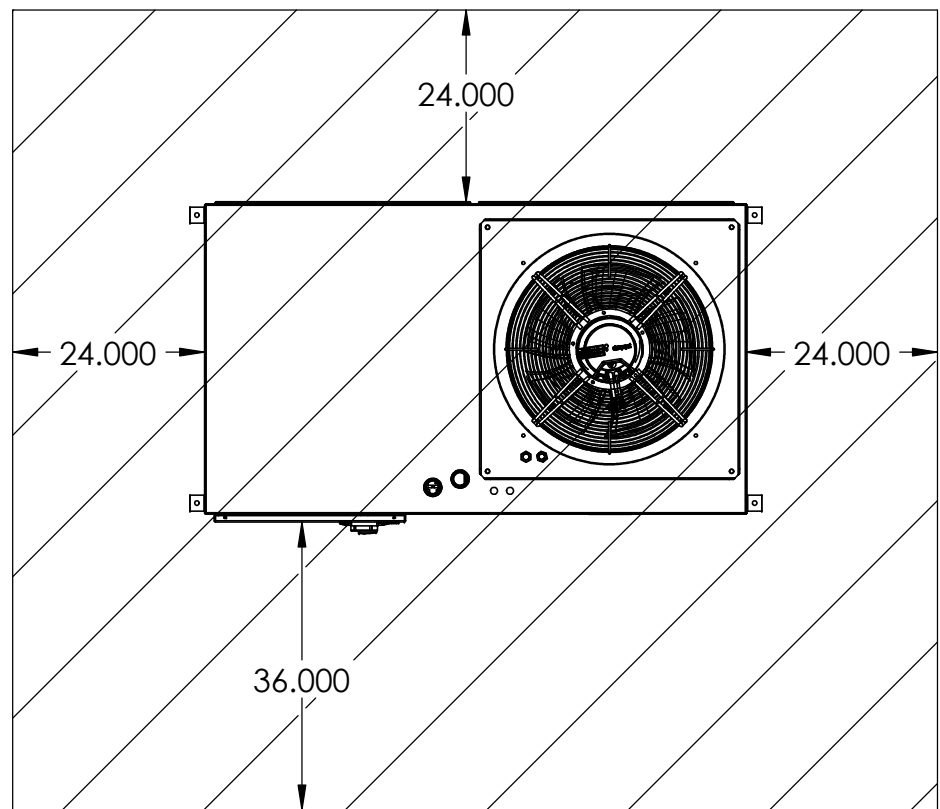
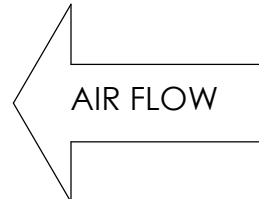
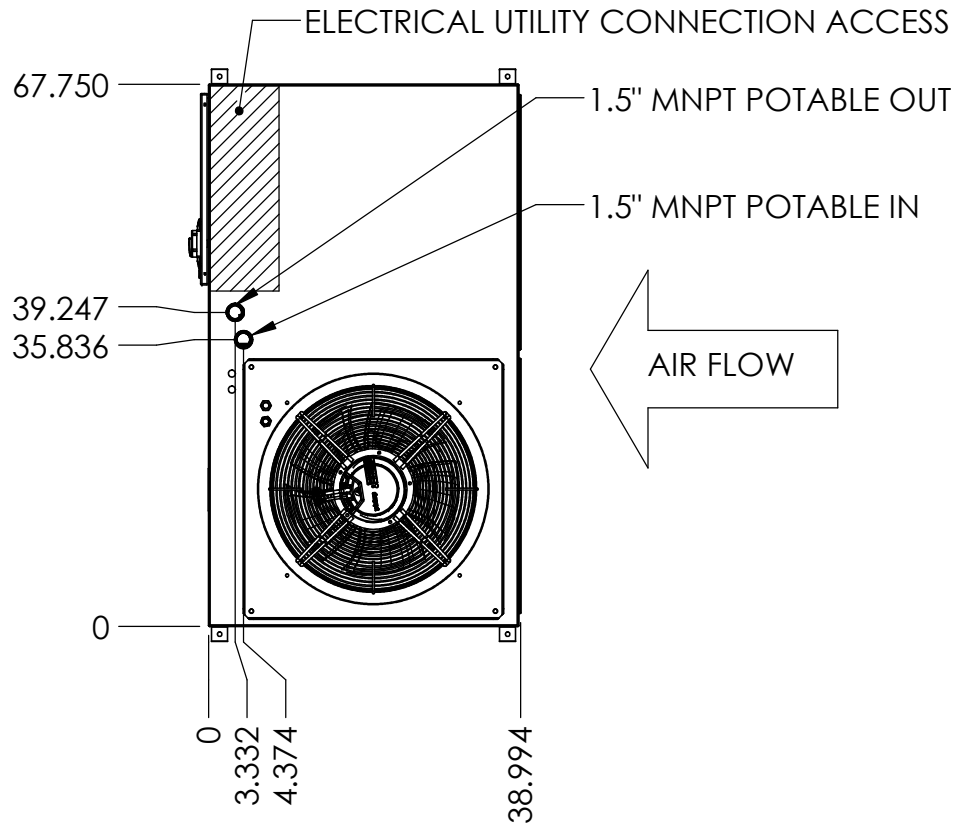
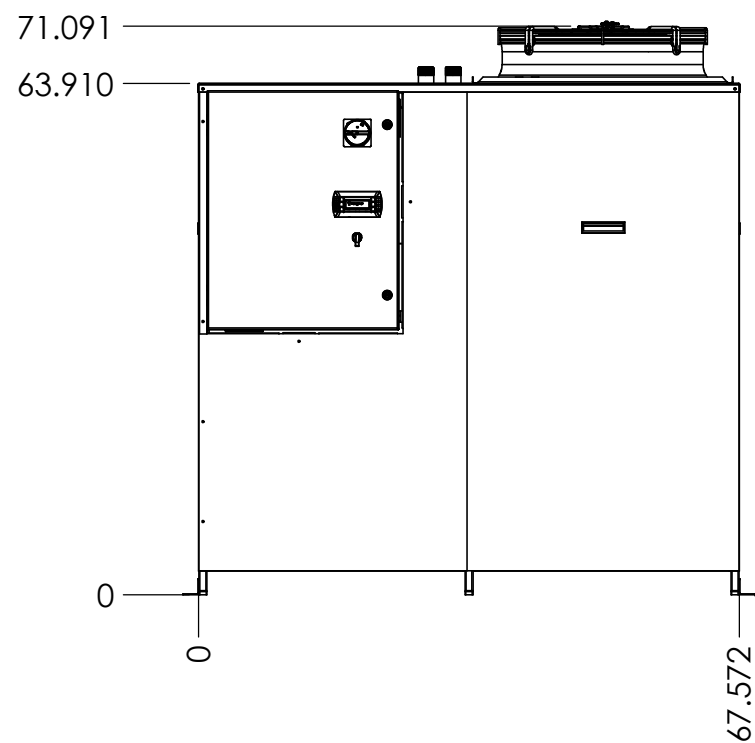
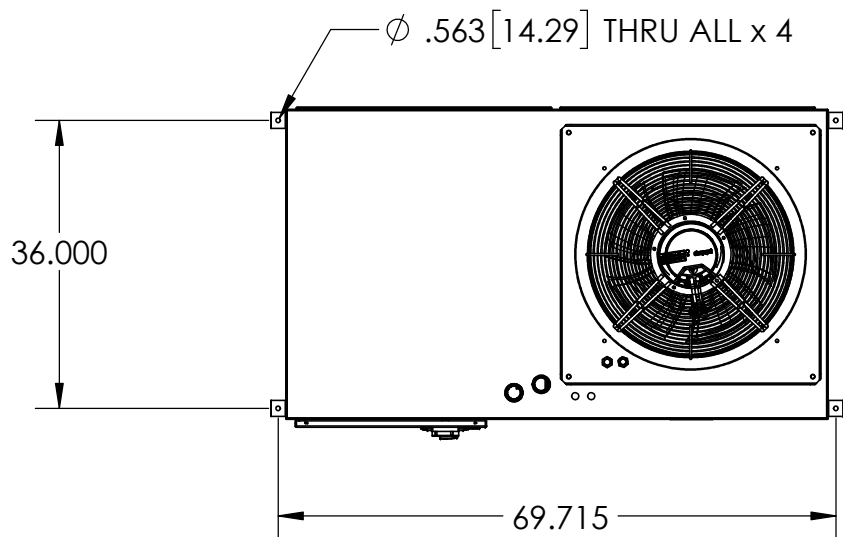
E

D

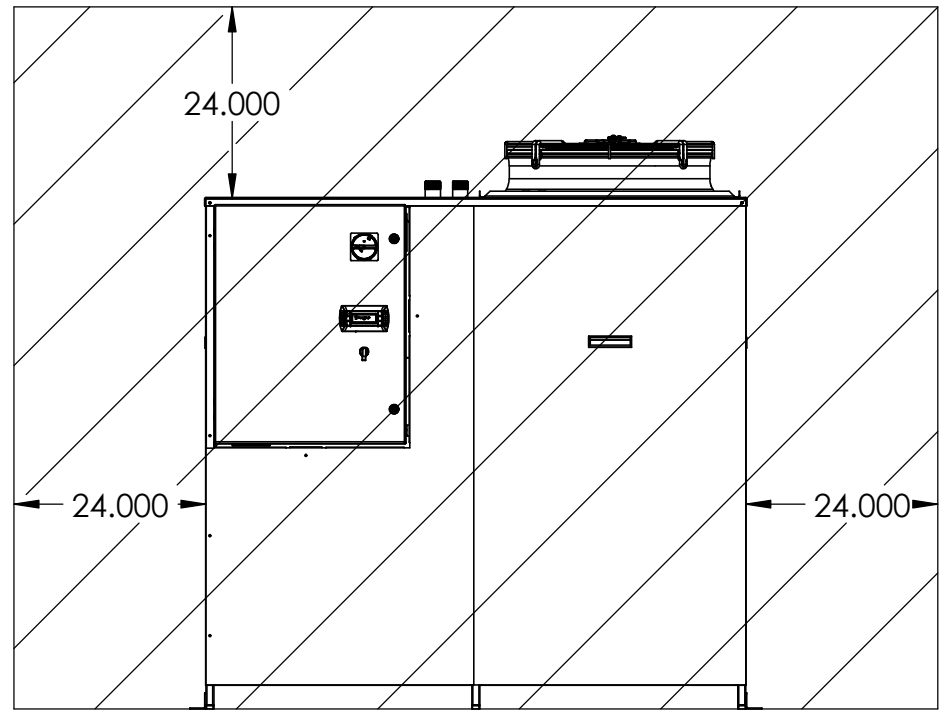
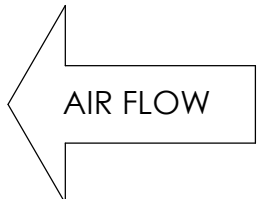
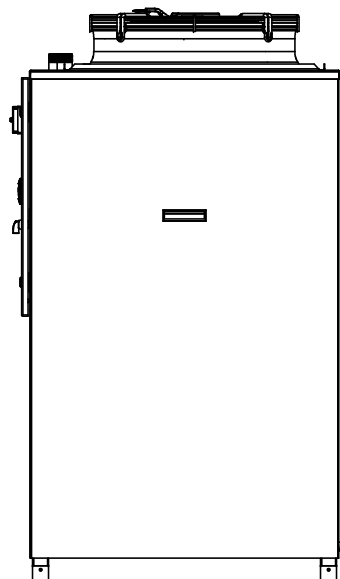
C

B

A



RECOMMENDED SERVICE CLEARANCES FOR SINGLE UNIT



PROPRIETARY AND CONFIDENTIAL
THE INFORMATION CONTAINED IN THIS DRAWING IS THE SOLE PROPERTY OF COLMAC INDUSTRIES. ANY REPRODUCTION IN PART OR AS A WHOLE WITHOUT THE WRITTEN PERMISSION OF COLMAC INDUSTRIES IS PROHIBITED.

REV. No.	REV STATUS
SHT. No.	OF SHEET

UNLESS OTHERWISE SPECIFIED: DIMENSIONS ARE IN INCHES TOLERANCES: FRACTIONAL: ±1/16 ANGULAR: MACH ±1° BEND ±1° TWO PLACE DECIMAL ±0.03 THREE PLACE DECIMAL ±0.031		CONTRACT NO.	COLMAC INDUSTRIES 401 N. Lincoln, Colville, Washington 99114 (509)684-4505	
DRAWN BY KLR		DATE	TITLE: CXA 20-30 SUBMITTAL DRAWING	
ENGINEER		DATE	SIZE	DWG. NO.
NEXT ASSY		USED ON	REV	
APPLICATIONS		DO NOT SCALE DRAWING	B 1010CXA-0030	
		SCALE: 1:24	UNIT WT.	SHEET 1 OF 3

8

7

6

5

4

3

2

1

1010CXA-0030

2/1/2019

Unit Specifications:

- Compressor: (1) Scroll, Copeland or Equivalent
- Condensers: (1) Brazed Plate, Double Wall
- Evaporators: (1) Aluminum Micro Channel
- Potable Water Pump: (1) Standard, 150 PSI Max Working Pressure
- Source Air Fan: EC Plenum Fan Motor; 1.5" H2O Available.
- Maximum Source Flow Rate: 10,000 CFM
- Control: Microprocessor (PLC)
- Frame: 304 SST
- Refrigerant: 134a

F

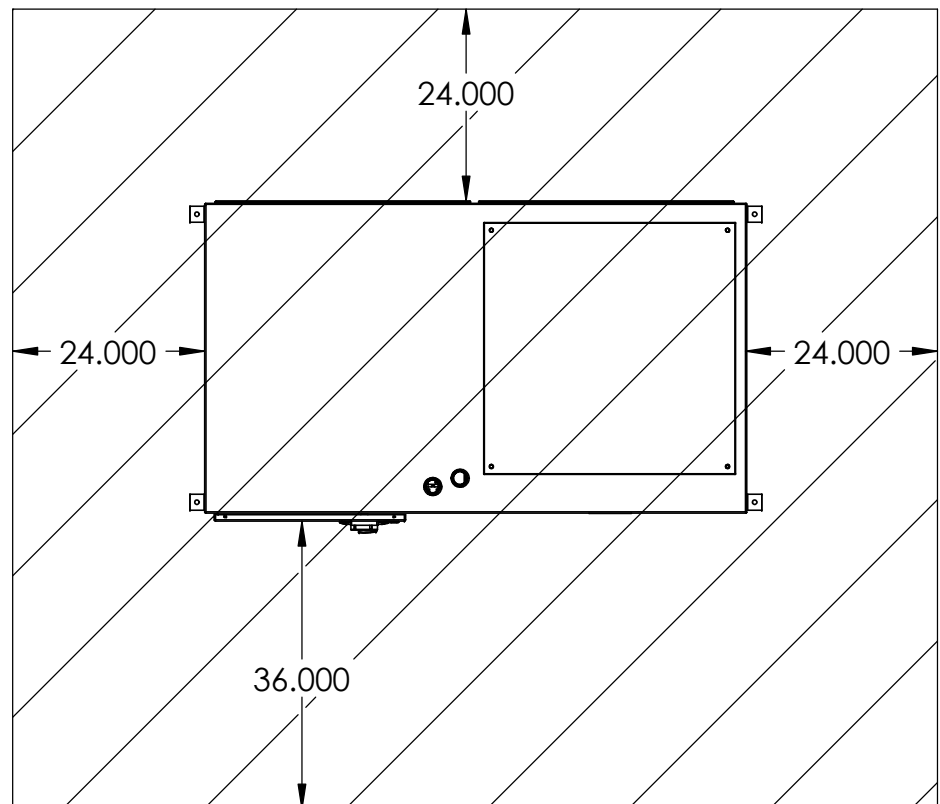
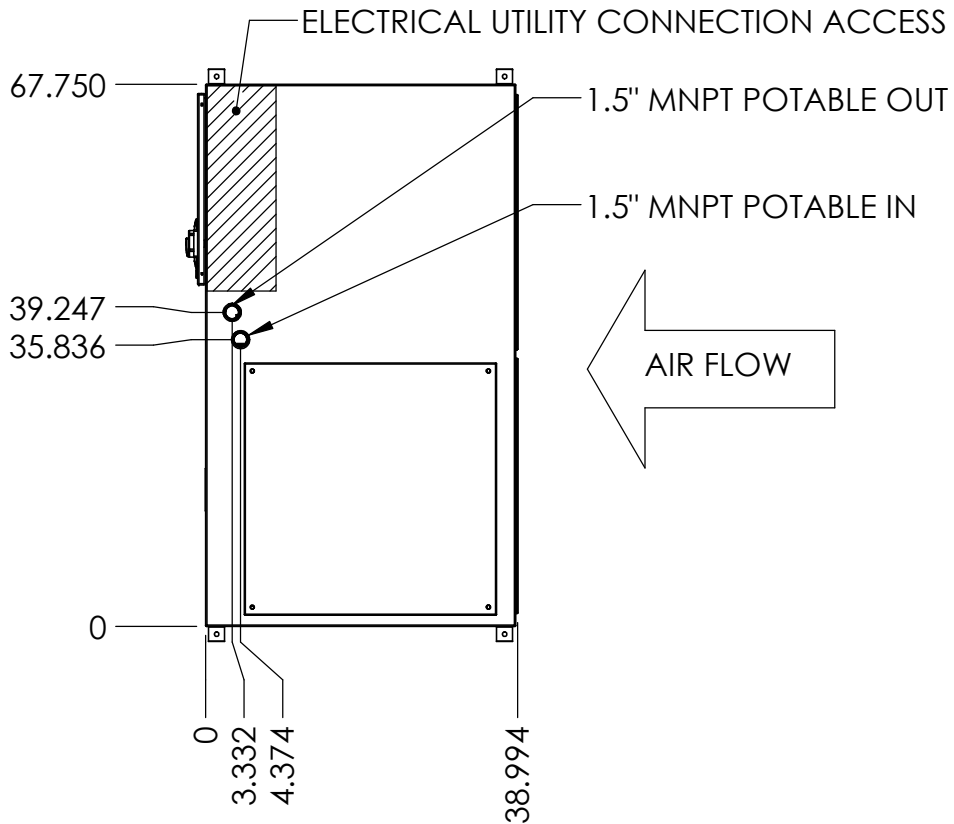
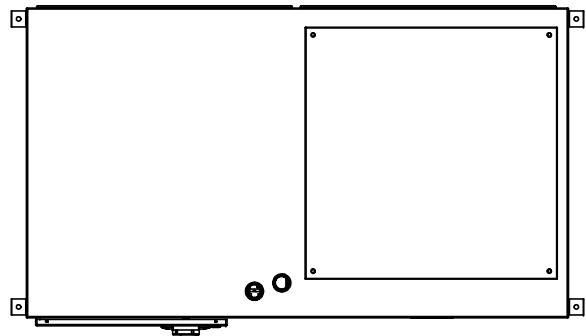
E

D

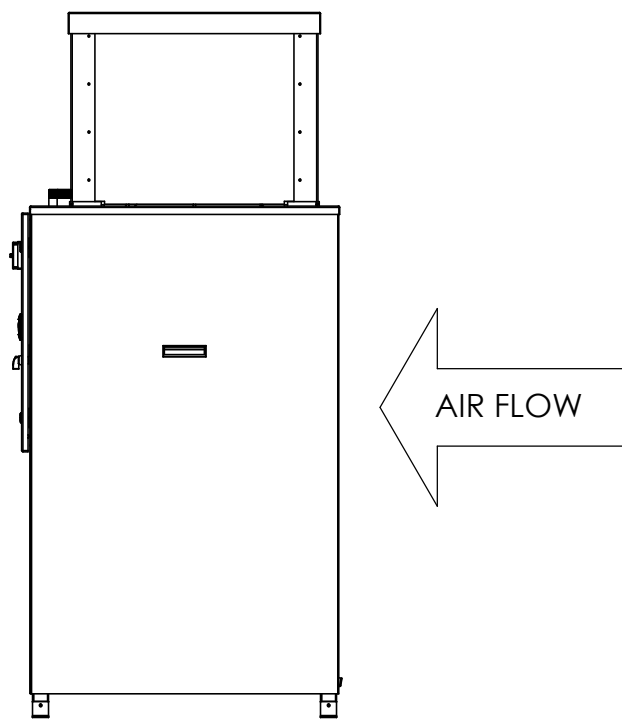
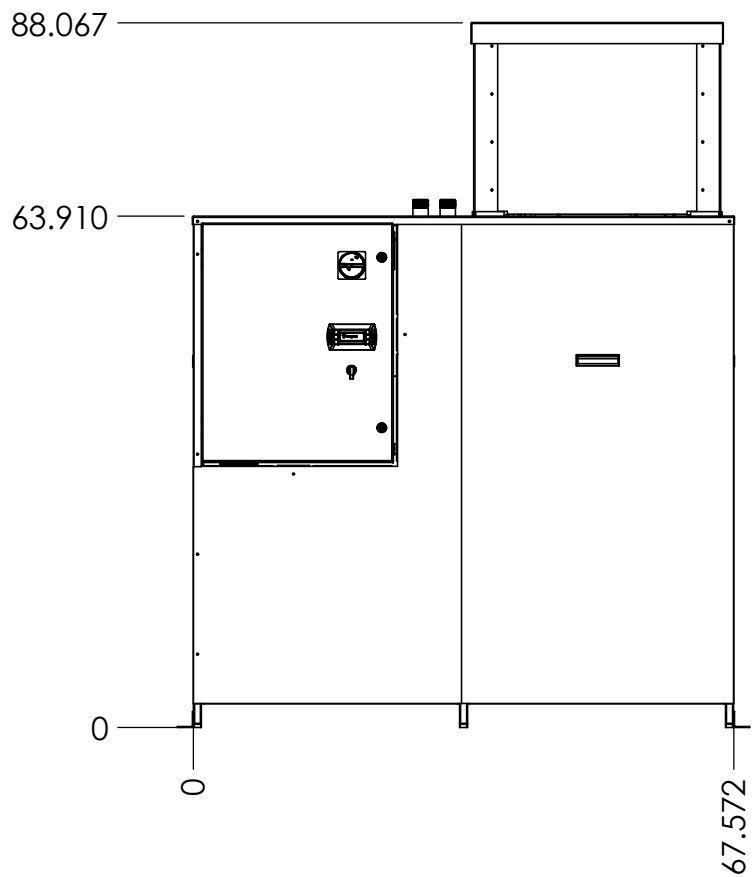
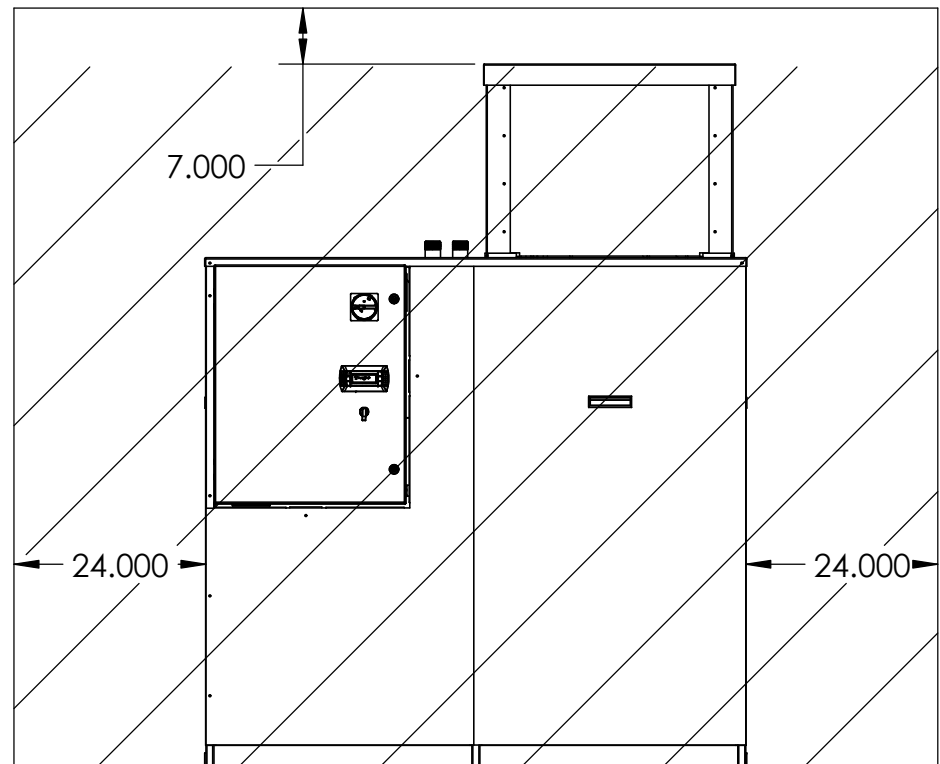
C

B

A



RECOMMENDED SERVICE CLEARANCES FOR SINGLE UNIT



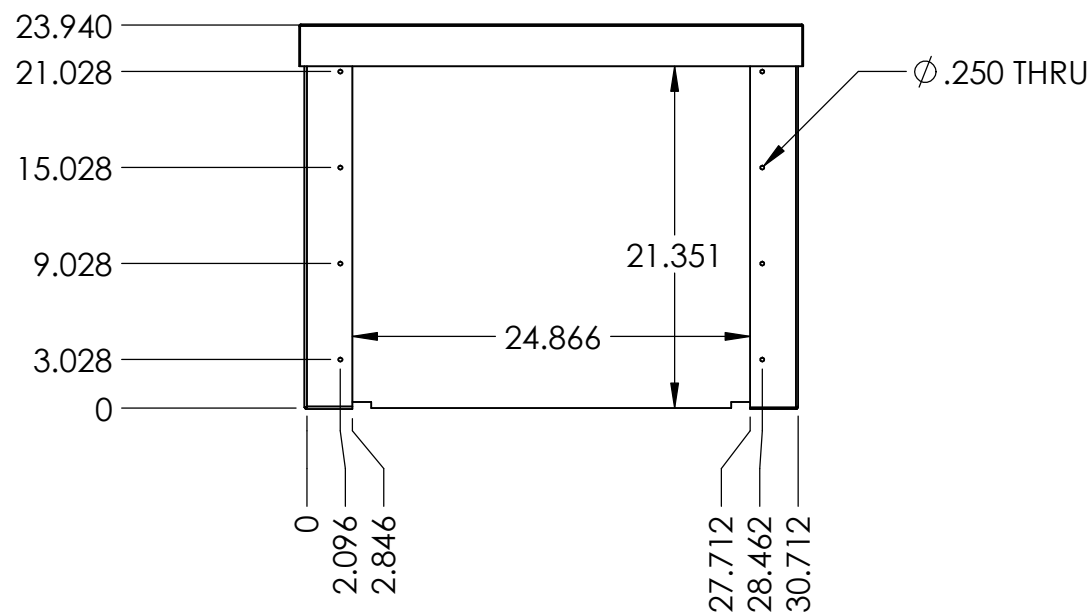
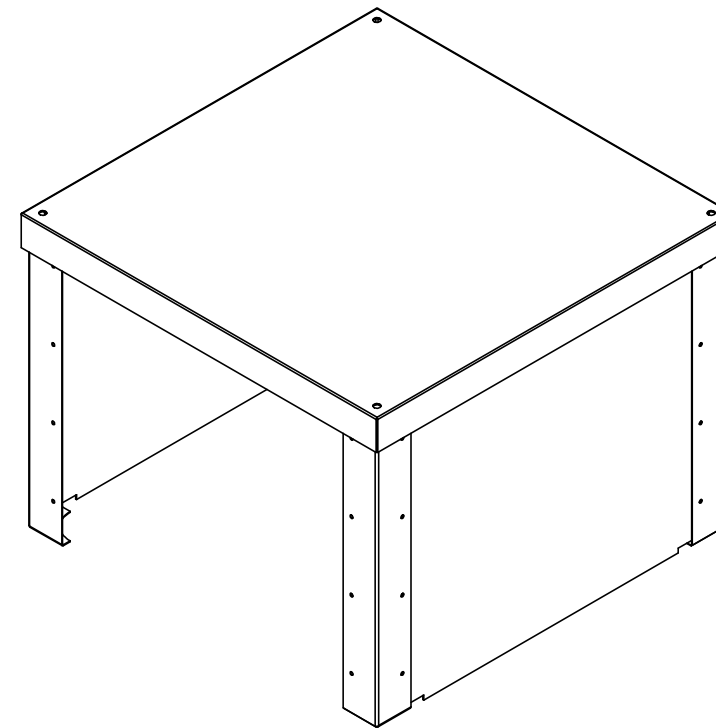
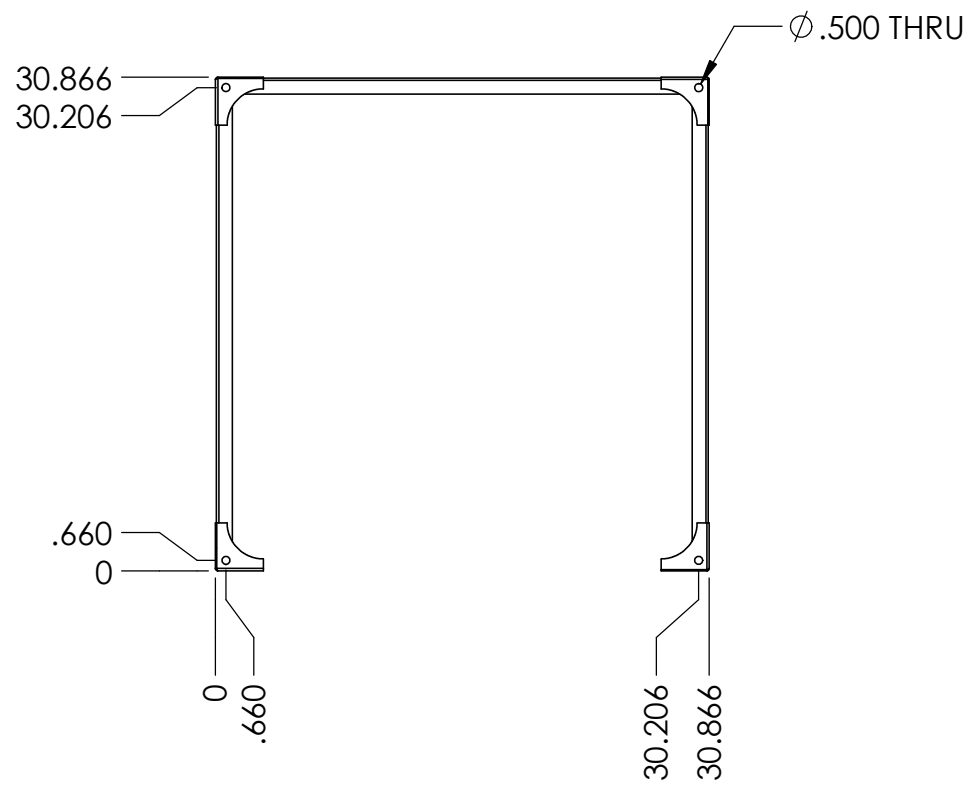
UNLESS OTHERWISE SPECIFIED: DIMENSIONS ARE IN INCHES TOLERANCES: FRACTIONAL: ±1/16 ANGULAR: MACH ±1° BEND ±1° TWO PLACE DECIMAL ±0.03 THREE PLACE DECIMAL ±0.031		CONTRACT NO.	COLMAC INDUSTRIES 401 N. Lincoln, Colville, Washington 99114 (509)684-4505	
DRAWN BY KLR		DATE	TITLE: CXA 20-30 SUBMITTAL DRAWING	
ENGINEER		DATE	SIZE B	DWG. NO. 1010CXA-0030
NEXT ASSY		USED ON	SCALE: 1:24	UNIT WT.
APPLICATIONS		DO NOT SCALE DRAWING	SHEET 2 OF 3	

PROPRIETARY AND CONFIDENTIAL
THE INFORMATION CONTAINED IN THIS DRAWING IS THE SOLE PROPERTY OF COLMAC INDUSTRIES. ANY REPRODUCTION IN PART OR AS A WHOLE WITHOUT THE WRITTEN PERMISSION OF COLMAC INDUSTRIES IS PROHIBITED.

2/1/2019
1010CXA-0030

8 7 6 5 4 3 2 1

F
E
D
C
B
A



NOTE: DUCT ACCESS TO PLENUM FAN IS IDENTICAL ON ALL FOUR SIDES

F
E
D
C
B
A

PROPRIETARY AND CONFIDENTIAL
THE INFORMATION CONTAINED IN THIS DRAWING IS THE SOLE PROPERTY OF COLMAC INDUSTRIES. ANY REPRODUCTION IN PART OR AS A WHOLE WITHOUT THE WRITTEN PERMISSION OF COLMAC INDUSTRIES IS PROHIBITED.

		REV. No.	REV STATUS
		SHT. No.	OF SHEET

UNLESS OTHERWISE SPECIFIED: DIMENSIONS ARE IN INCHES TOLERANCES: FRACTIONAL ±1/16 ANGULAR: MACH ±1° BEND ±1° TWO PLACE DECIMAL ±0.03 THREE PLACE DECIMAL ±0.031	CONTRACT NO.	COLMAC INDUSTRIES 401 N. Lincoln, Colville, Washington 99114 (509)684-4505	
	DRAWN BY KLR	DATE	TITLE: ASSY, CXA 10-15 PLENUM FAN COVER
	ENGINEER	DATE	SIZE DWG. NO.
	SOLIDWORKS	AUTOCAD	B 1010CXA-0030
DO NOT SCALE DRAWING		SCALE: 1:12	UNIT WT. SHEET 3 OF 3

8 7 6 5 4 3 2 1