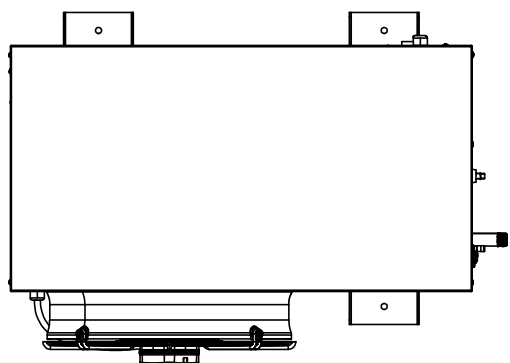
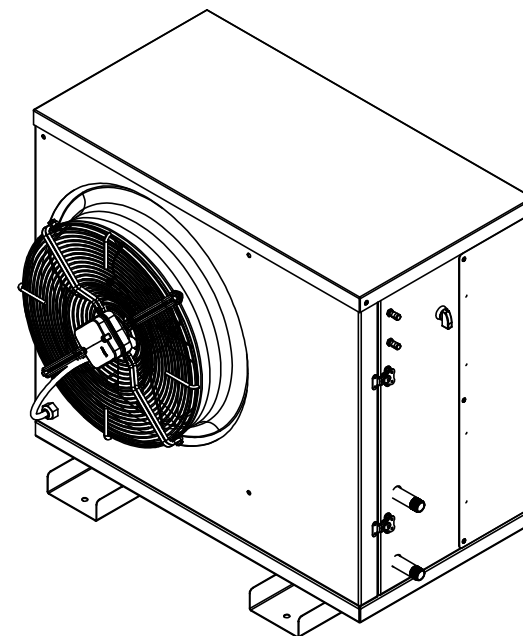


UNIT SPECIFICATIONS

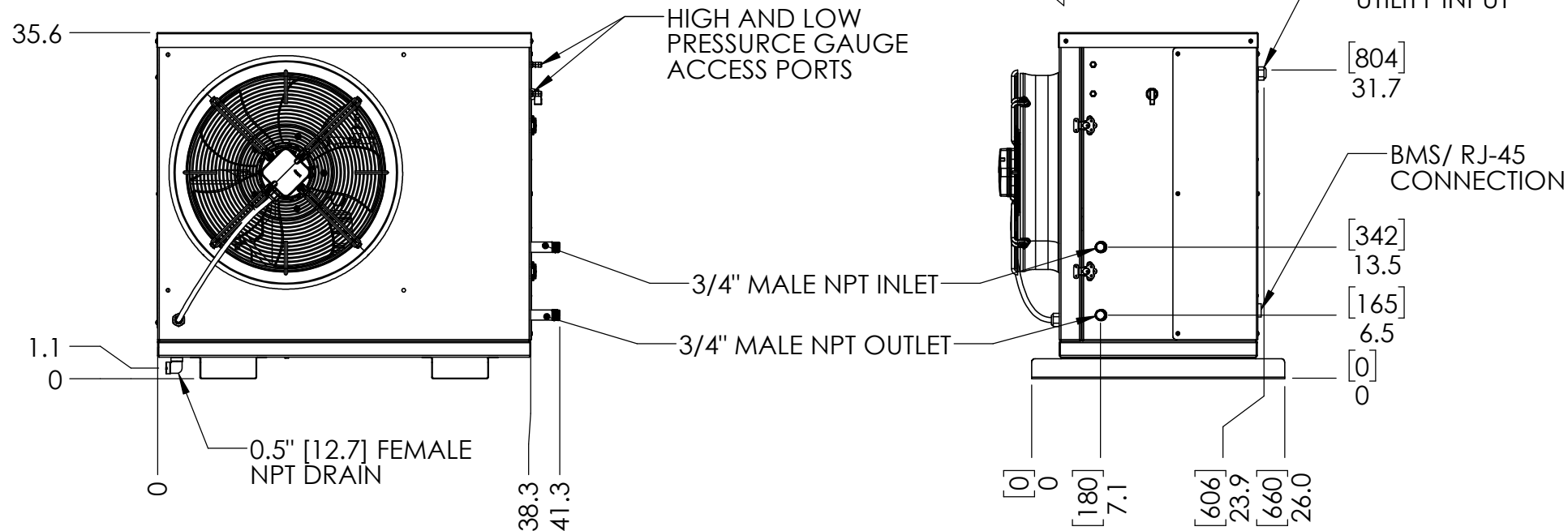
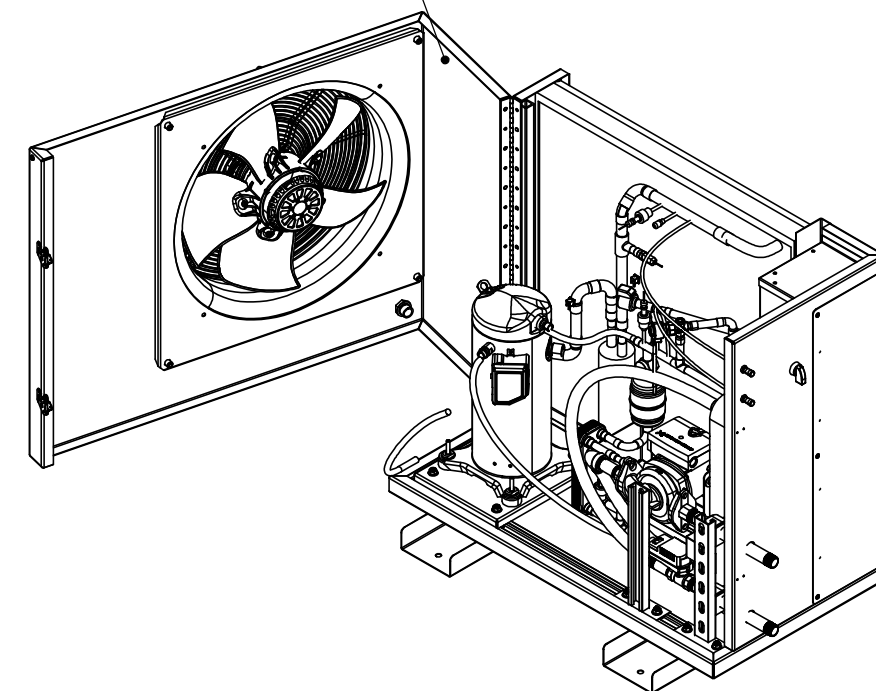
COMPRESSOR: (1) 5 HP VAPOR INJECTED SCROLL
 CONDENSER: (1) BRAZED PLATE, DOUBLE WALL VENTED 316 SST
 EVAPORATOR: (1) AL MICROCHANNEL (ELECTROCOAT OPTION)
 POTABLE PUMP: (1) INCLUDED, STAINLESS STEEL
 150 PSI MAX WORKING PRESSURE
 FAN: (1) AC,
 AIRFLOW: 4000 CFM AT 0" WG
 CONTROL: MICROPROCESSOR (PLC) & TOUCHSCREEN
 CABINET: 304 SST
 REFRIGIERANT: R-410A
 CRATED WEIGHT: 615 LBS (279 KG)

ELECTRICAL SUPPLY: 230V / 60 HZ / 1 PH
 FLA: 30.43 A
 MCA: 36.83 A
 MOP: 30 A
 FEEDER WIRE: 8 AWG [8.36 MM^2]

ELECTRICAL SUPPLY: 220V / 50 HZ / 1 PH
 FLA: 25.85 A
 MCA: 31.33 A
 MOP: 30 A
 FEEDER WIRE: 8 AWG [8.36 MM^2]



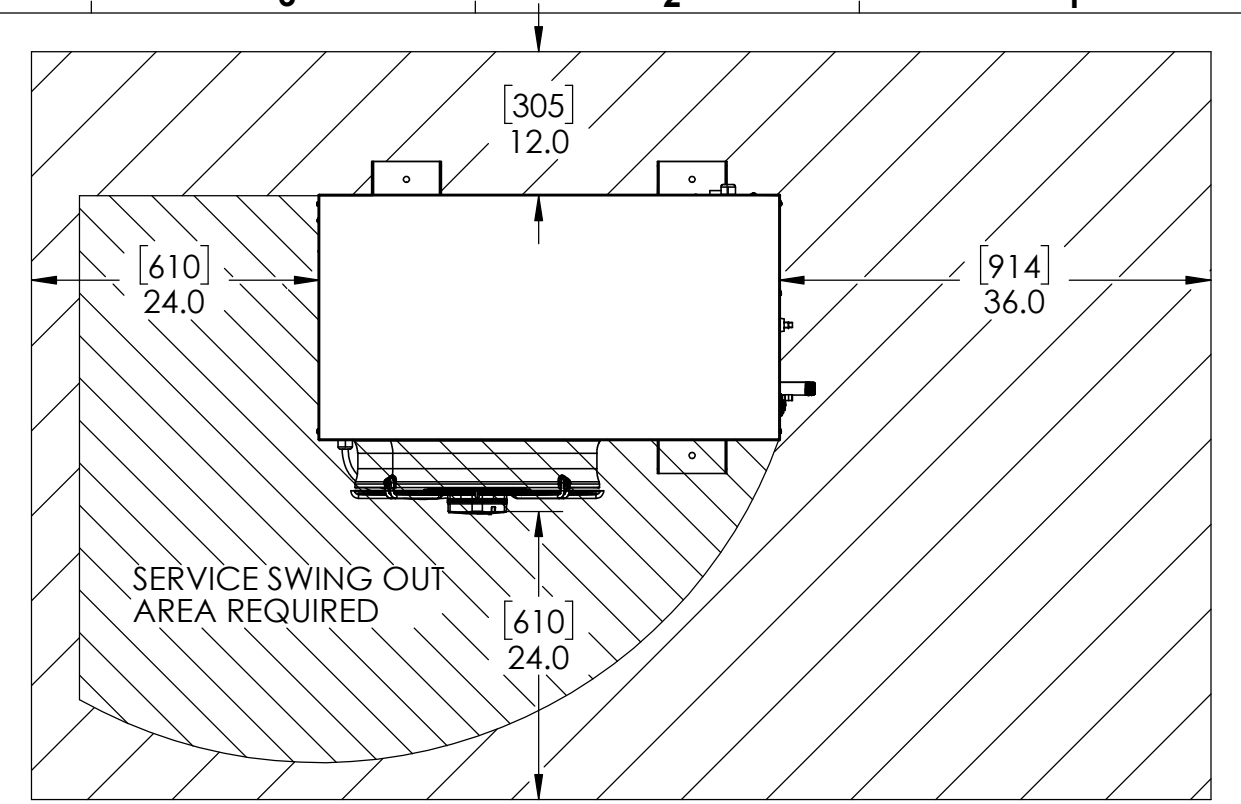
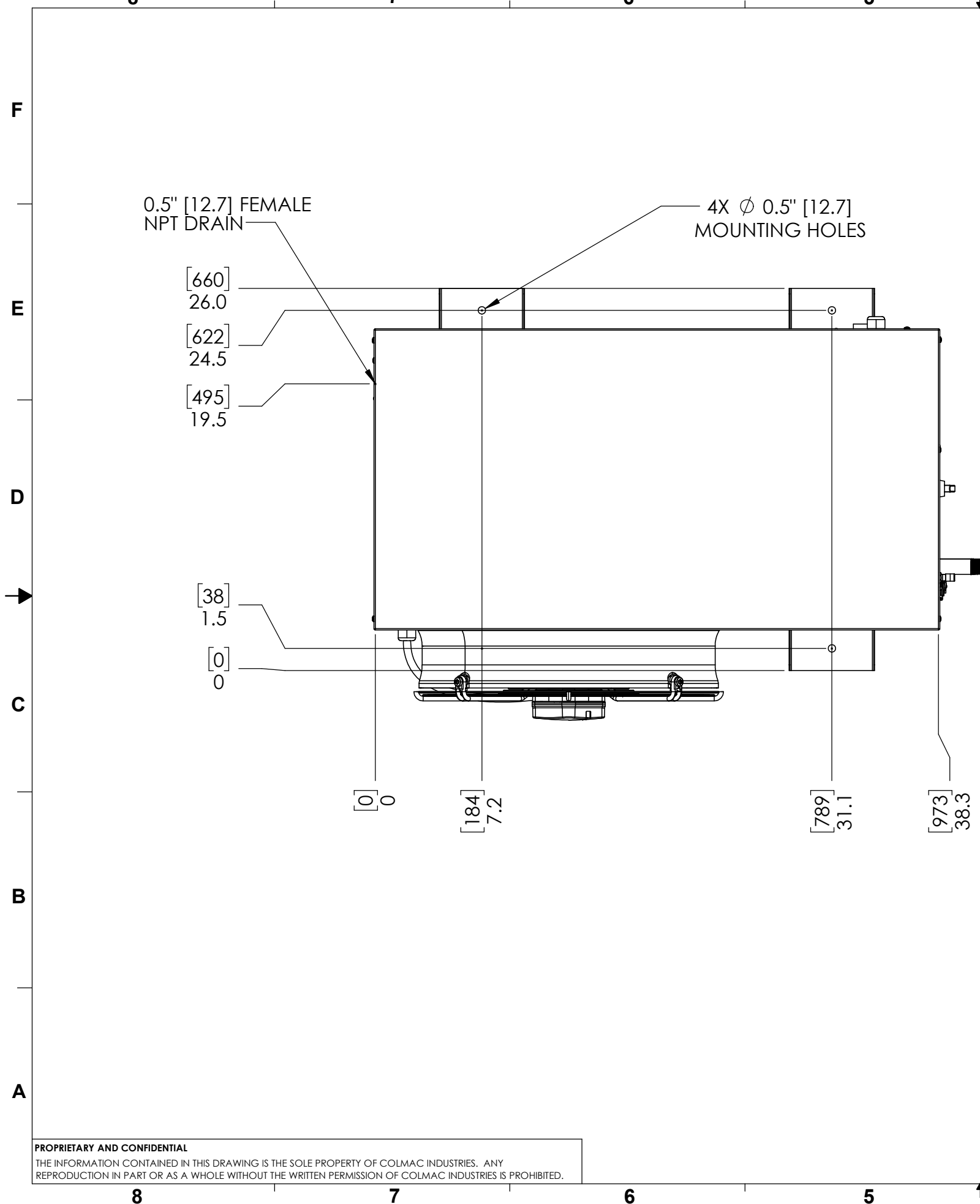
HINGED SERVICE ACCESS



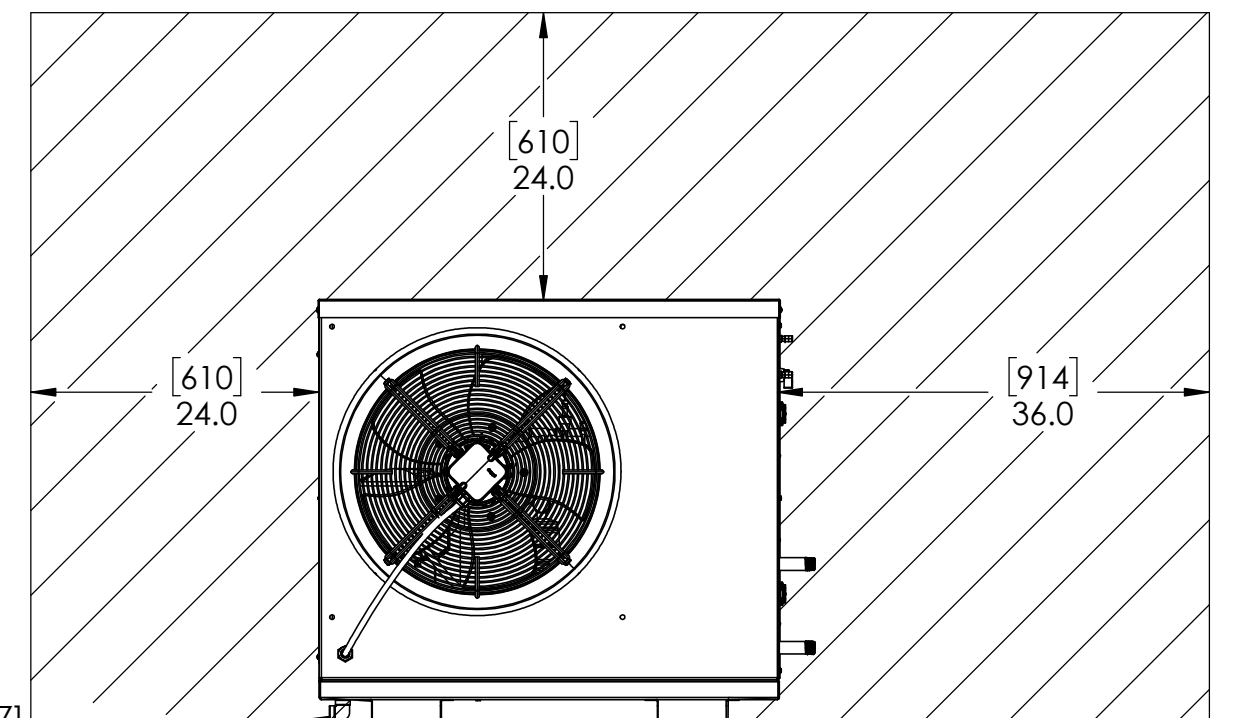
PROPRIETARY AND CONFIDENTIAL
 THE INFORMATION CONTAINED IN THIS DRAWING IS THE SOLE PROPERTY OF COLMAC INDUSTRIES. ANY REPRODUCTION IN PART OR AS A WHOLE WITHOUT THE WRITTEN PERMISSION OF COLMAC INDUSTRIES IS PROHIBITED.

REV. No.	REV STATUS OF SHEET
SHT. No.	

UNLESS OTHERWISE SPECIFIED: DIMENSIONS ARE IN INCHES TOLERANCES: FRACTIONAL ±1/16 ANGULAR: MACH ±1° BEND ±1° TWO PLACE DECIMAL ±0.03 THREE PLACE DECIMAL ±0.031		CONTRACT NO.	COLMAC INDUSTRIES 401 N. Lincoln, Colville, Washington 99114 (509)684-4505
DRAWN BY KLR		DATE	TITLE: GENERAL SUBMITTAL CxV
ENGINEER		DATE	SIZE DWG. NO. REV
NEXT ASSY USED ON		SOLIDWORKS AUTOCAD	B 1010CXV-0005
APPLICATIONS		DO NOT SCALE DRAWING	SCALE: 1:12 UNIT WT. SHEET 1 OF 2



RECOMMENDED SERVICE CLEARANCES



PROPRIETARY AND CONFIDENTIAL
 THE INFORMATION CONTAINED IN THIS DRAWING IS THE SOLE PROPERTY OF COLMAC INDUSTRIES. ANY REPRODUCTION IN PART OR AS A WHOLE WITHOUT THE WRITTEN PERMISSION OF COLMAC INDUSTRIES IS PROHIBITED.

UNLESS OTHERWISE SPECIFIED:
 DIMENSIONS ARE IN INCHES
 TOLERANCES:
 FRACTIONAL: ±1/16
 ANGULAR: MACH ±1° BEND ±1°
 TWO PLACE DECIMAL ±0.03
 THREE PLACE DECIMAL ±0.031

CONTRACT NO.	
DRAWN BY KLR	DATE
ENGINEER	DATE
SOLIDWORKS	AUTOCAD

COLMAC INDUSTRIES
 401 N. Lincoln, Colville, Washington 99114
 (509)684-4505

TITLE:
**GENERAL SUBMITTAL
 CxV**

REV. No.	REV STATUS OF SHEET
SHT. No.	

NEXT ASSY	USED ON
APPLICATIONS	

DO NOT SCALE DRAWING

SIZE	DWG. NO.	REV
B	1010CXV-0005	
SCALE: 1:12	UNIT WT.	SHEET 2 OF 2