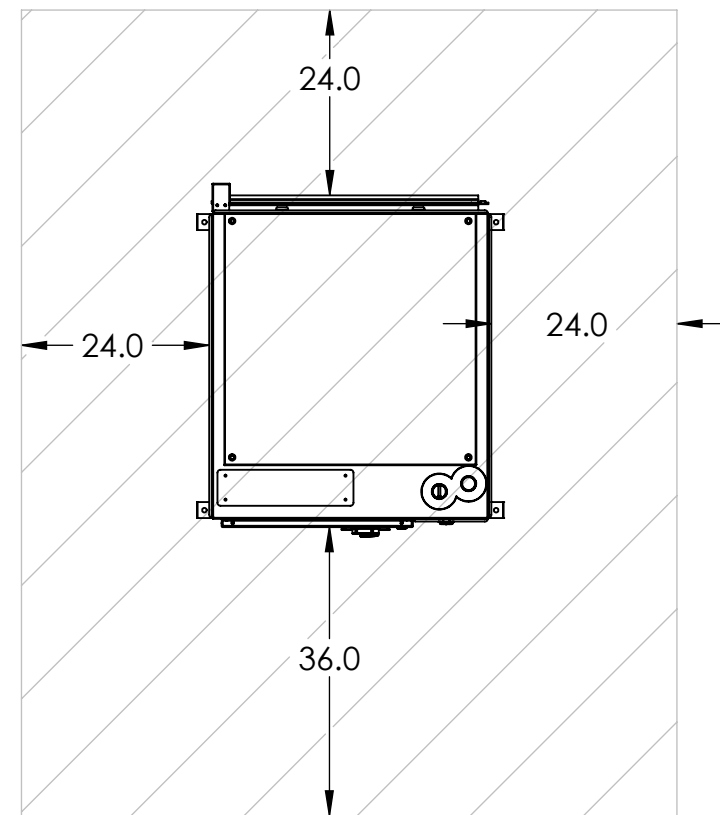
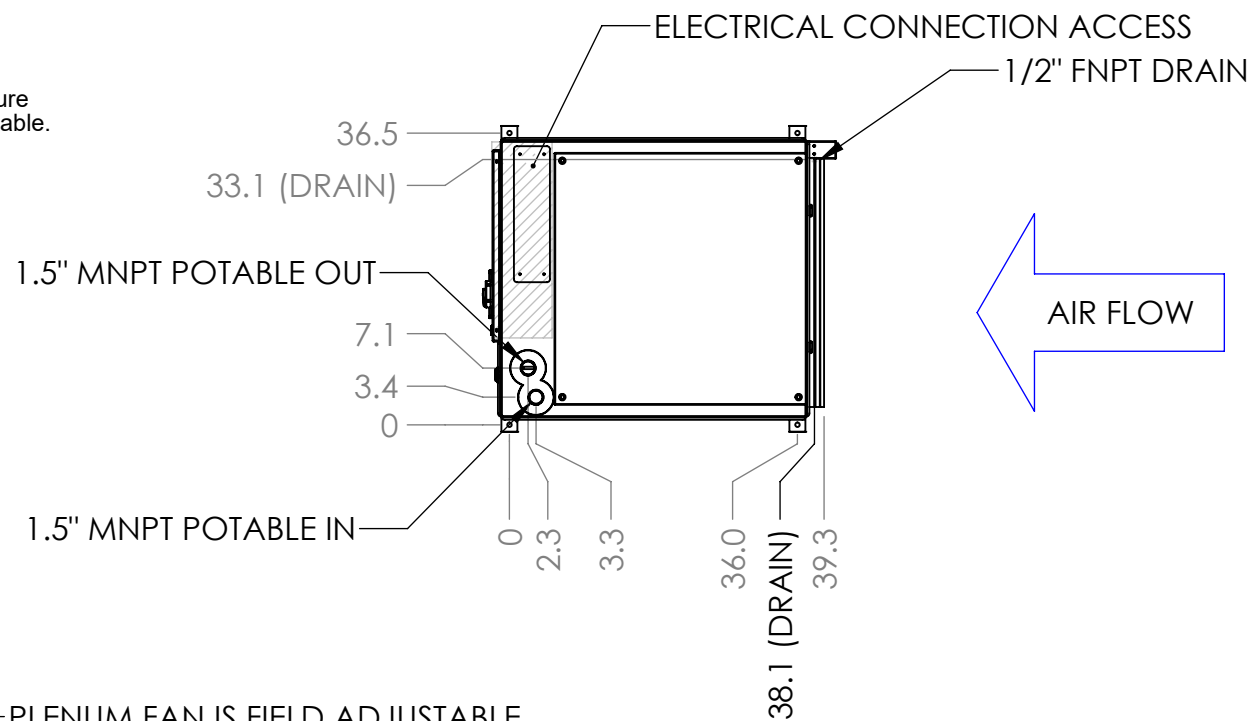
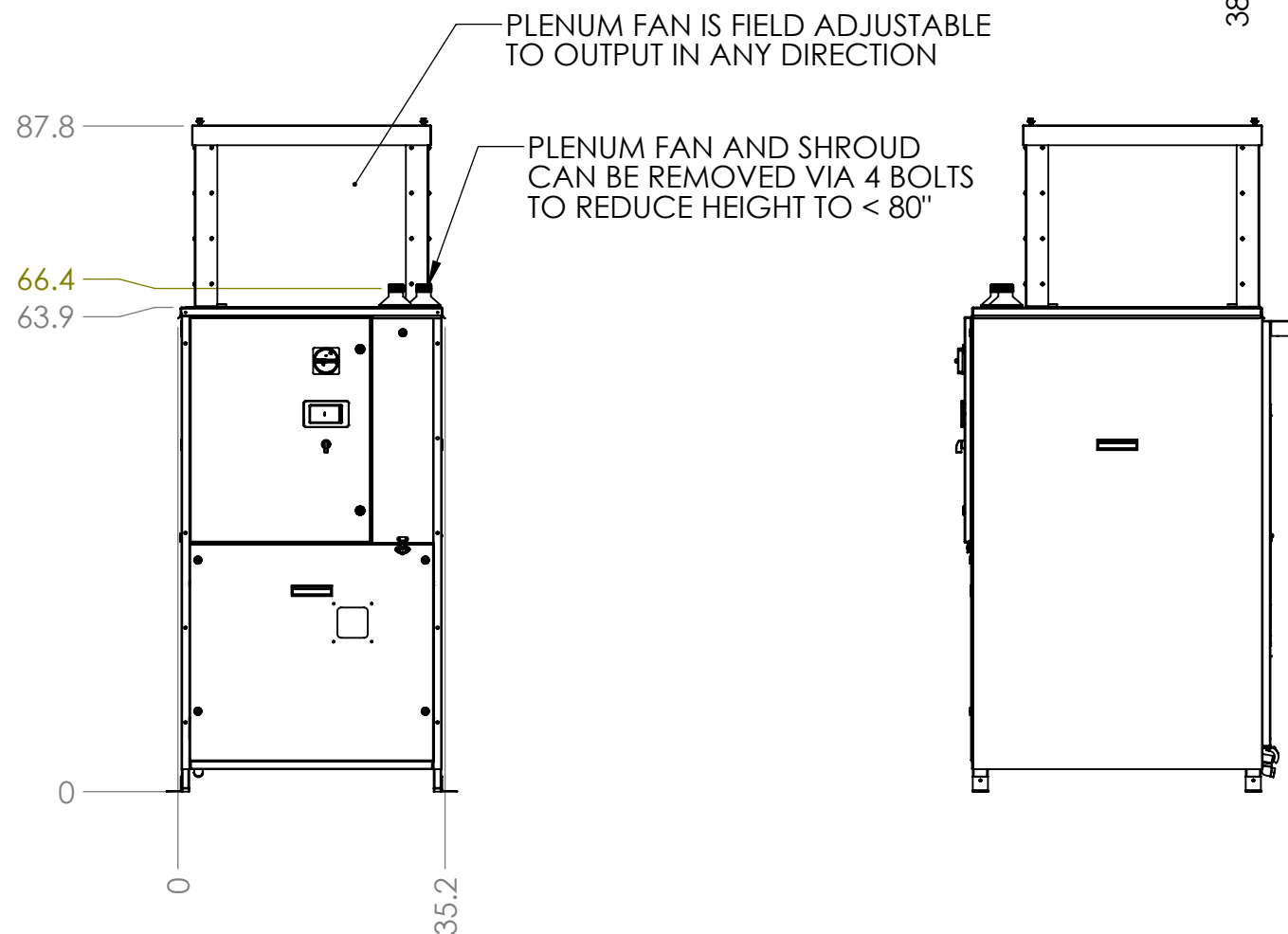
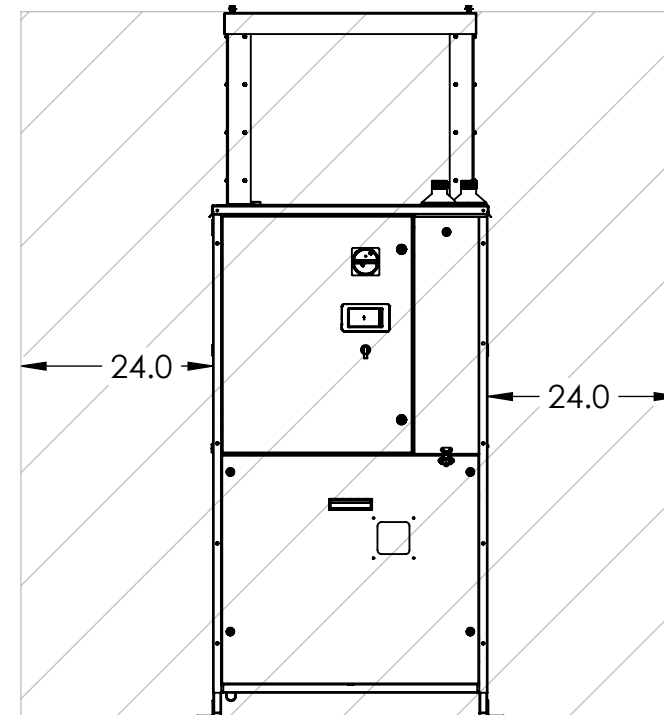


Unit Specifications:

- Compressor: (1) Scroll, Copeland or Equivalent
- Condensers: (1) Brazed Plate
- Evaporators: (1) Aluminum Micro Channel
- Potable Water Pump: (1) Standard, 150 Max Working Pressure
- Source Air Fan: EC Plenum Fan Motor; 3.5" H2O Available.
- Maximum Source Flow Rate: 10000 CFM
- Control: Microprocessor (PLC)
- Frame: 304 SST
- Refrigerant: 134a



RECOMMENDED SERVICE CLEARANCE FOR SINGLE UNIT



<p>UNLESS OTHERWISE SPECIFIED: DIMENSIONS ARE IN INCHES TOLERANCES: FRACTIONAL: ±1/16 ANGULAR: MACH ±1° BEND ±1° TWO PLACE DECIMAL ±0.03 THREE PLACE DECIMAL ±0.031</p>	CONTRACT NO.	COLMAC INDUSTRIES 401 N. Lincoln, Colville, Washington 99114 (509)684-4505	
	DRAWN BY KLR	DATE	TITLE: CXA 10-15 SUBMITTAL DRAWING WITH PLENUM FAN
NEXT ASSY	USED ON	ENGINEER	DATE
APPLICATIONS		SOLIDWORKS	AUTOCAD
DO NOT SCALE DRAWING		SCALE: 1:24	UNIT WT.
REV. No. REV STATUS OF SHEET		SHEET 1 OF 1	

PROPRIETARY AND CONFIDENTIAL
 THE INFORMATION CONTAINED IN THIS DRAWING IS THE SOLE PROPERTY OF COLMAC INDUSTRIES. ANY REPRODUCTION IN PART OR AS A WHOLE WITHOUT THE WRITTEN PERMISSION OF COLMAC INDUSTRIES IS PROHIBITED.

1010CXA-0015B