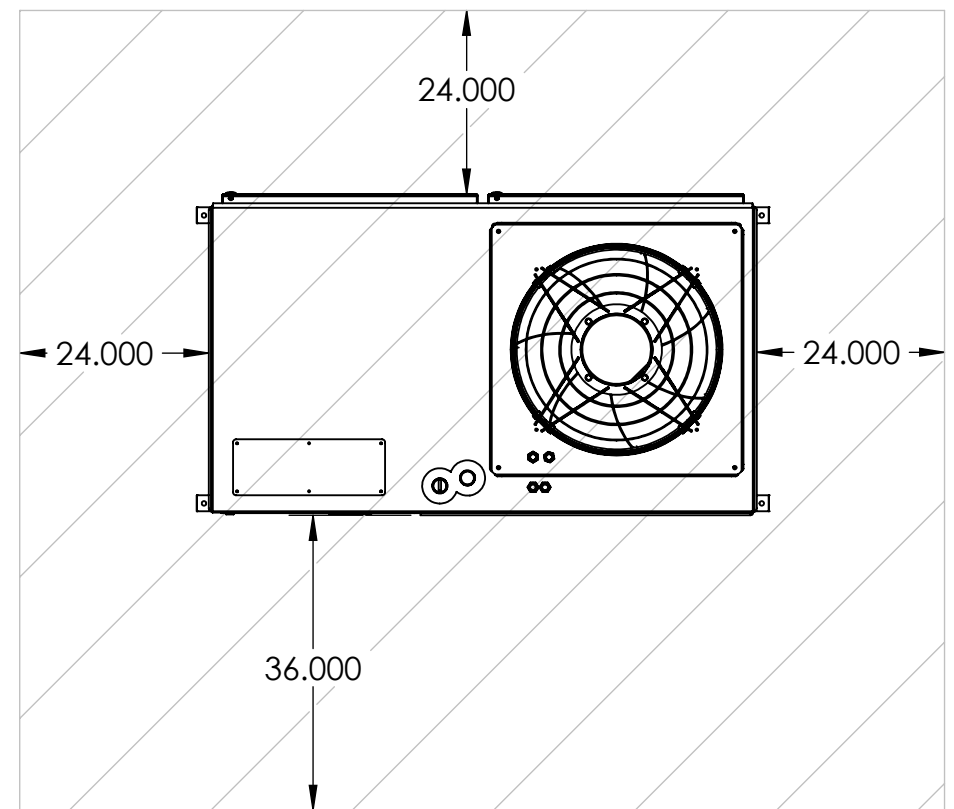
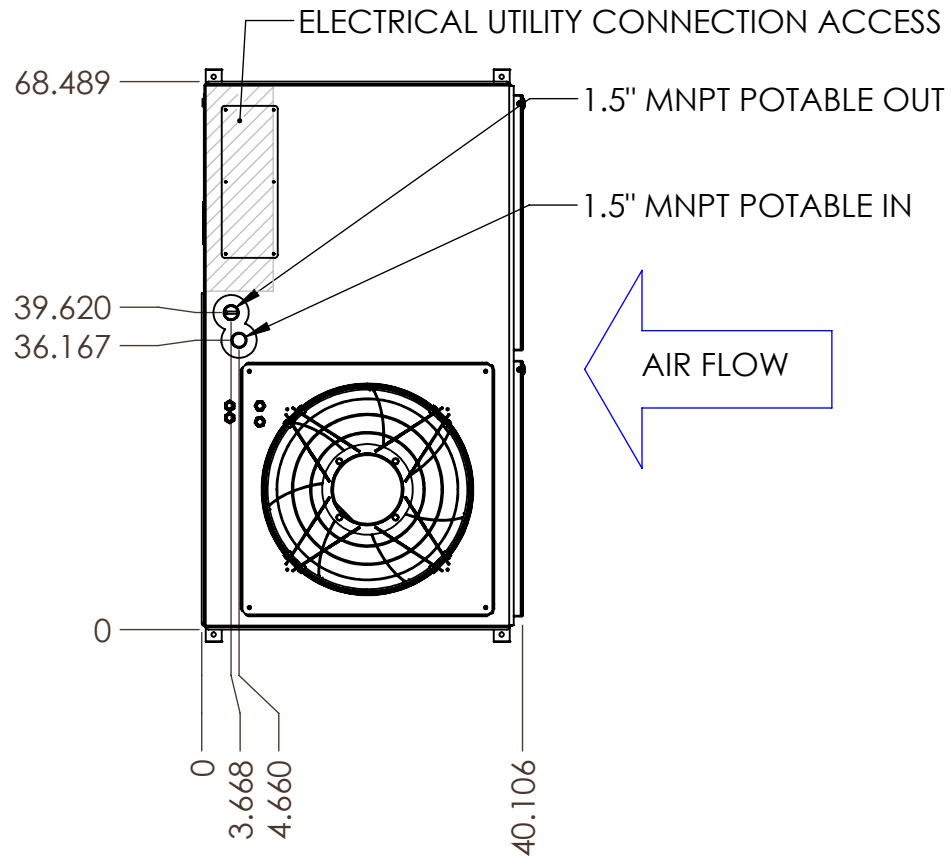
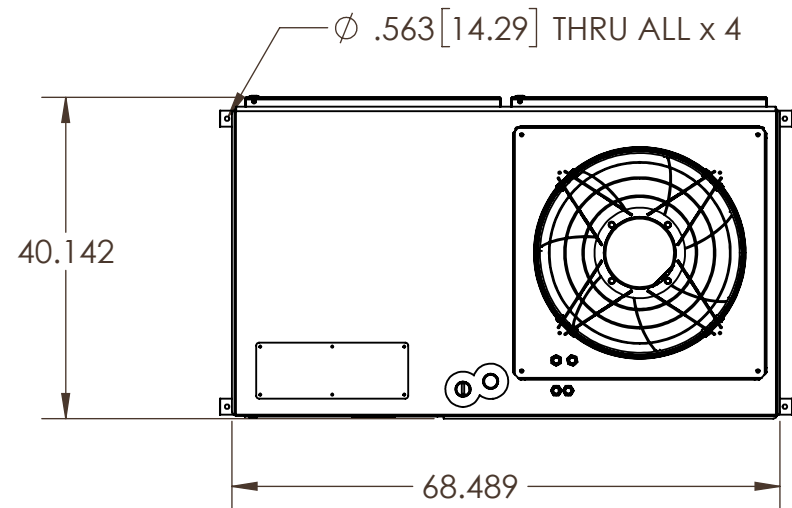
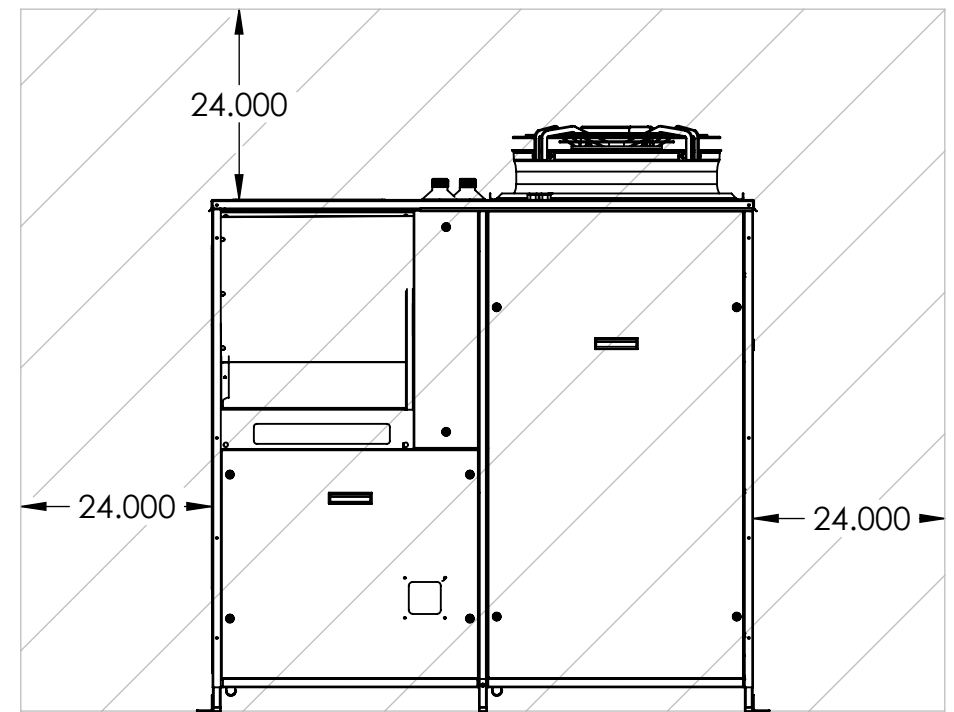
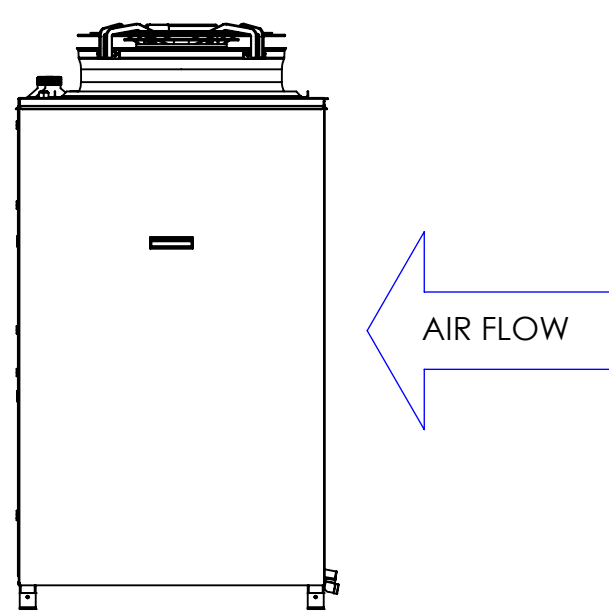
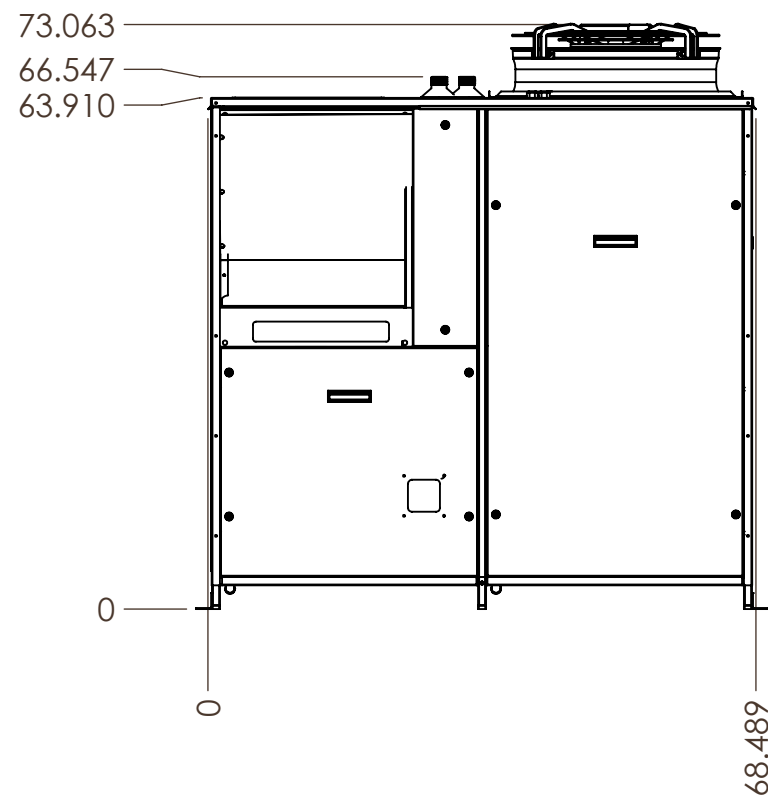


Unit Specifications:

- Compressor: (1) Scroll, Copeland or Equivalent
- Condensers: (1) Brazed Plate, Double Wall
- Evaporators: (1) Aluminum Micro Channel
- Potable Water Pump: (1) Standard, 150 PSI Max Working Pressure
- Source Air Fan: EC Axial Fan Motor; 0.25" H2O Available.
- Maximum Source Flow Rate: 10,000 CFM
- Control: Microprocessor (PLC)
- Frame: 304 SST
- Refrigerant: 134a



RECOMMENDED SERVICE CLEARANCES FOR SINGLE UNIT



PROPRIETARY AND CONFIDENTIAL
THE INFORMATION CONTAINED IN THIS DRAWING IS THE SOLE PROPERTY OF COLMAC INDUSTRIES. ANY REPRODUCTION IN PART OR AS A WHOLE WITHOUT THE WRITTEN PERMISSION OF COLMAC INDUSTRIES IS PROHIBITED.

REV. No.	REV STATUS
SHT. No.	OF SHEET

UNLESS OTHERWISE SPECIFIED: DIMENSIONS ARE IN INCHES TOLERANCES: FRACTIONAL $\pm 1/16$ ANGULAR: MACH $\pm 1^\circ$ BEND $\pm 1^\circ$ TWO PLACE DECIMAL ± 0.03 THREE PLACE DECIMAL ± 0.031		CONTRACT NO.	COLMAC INDUSTRIES 401 N. Lincoln, Colville, Washington 99114 (509)684-4505	
DRAWN BY KLR		DATE	TITLE: CXA 20-30 SUBMITTAL DRAWING	
ENGINEER		DATE	SIZE	DWG. NO.
NEXT ASSY		USED ON	B 1010CXA-0030	
APPLICATIONS		SOLIDWORKS	AUTOCAD	REV
DO NOT SCALE DRAWING		SCALE: 1:24	UNIT WT.	SHEET 1 OF 3

1/16/2020
1010CXA-0030

Unit Specifications:

- Compressor: (1) Scroll, Copeland or Equivalent
- Condensers: (1) Brazed Plate, Double Wall
- Evaporators: (1) Aluminum Micro Channel
- Potable Water Pump: (1) Standard, 150 PSI Max Working Pressure
- Source Air Fan: EC Plenum Fan Motor; 1.5" H2O Available.
- Maximum Source Flow Rate: 10,000 CFM
- Control: Microprocessor (PLC)
- Frame: 304 SST
- Refrigerant: 134a

F

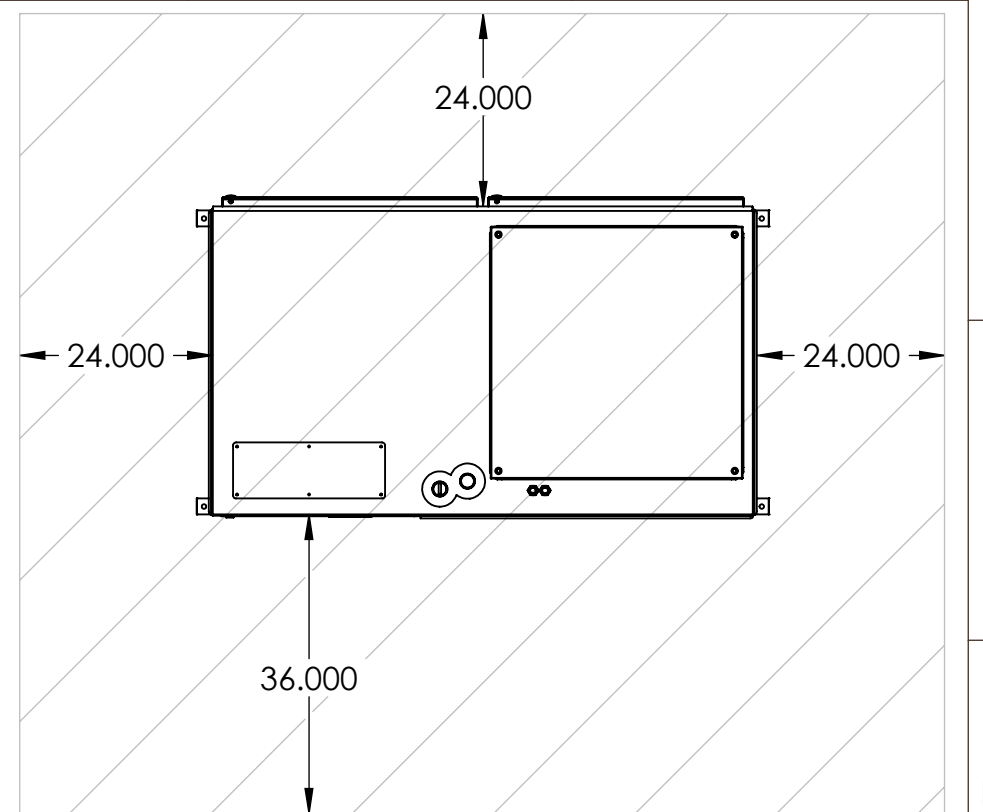
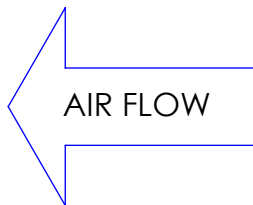
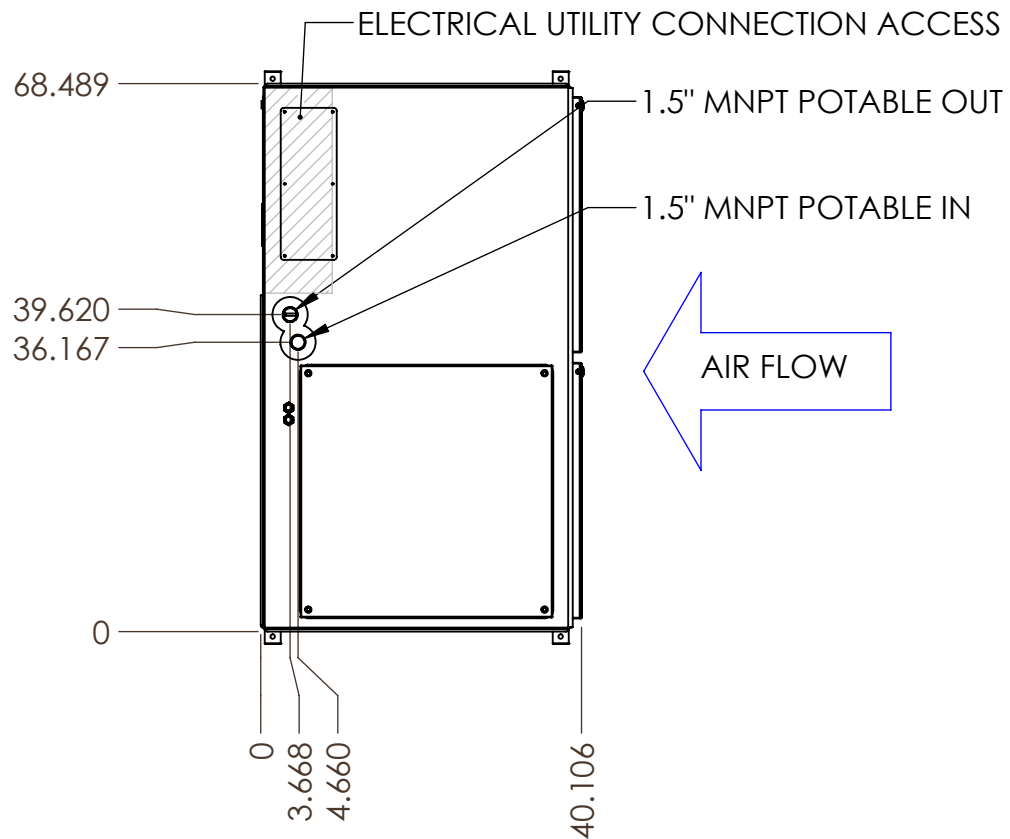
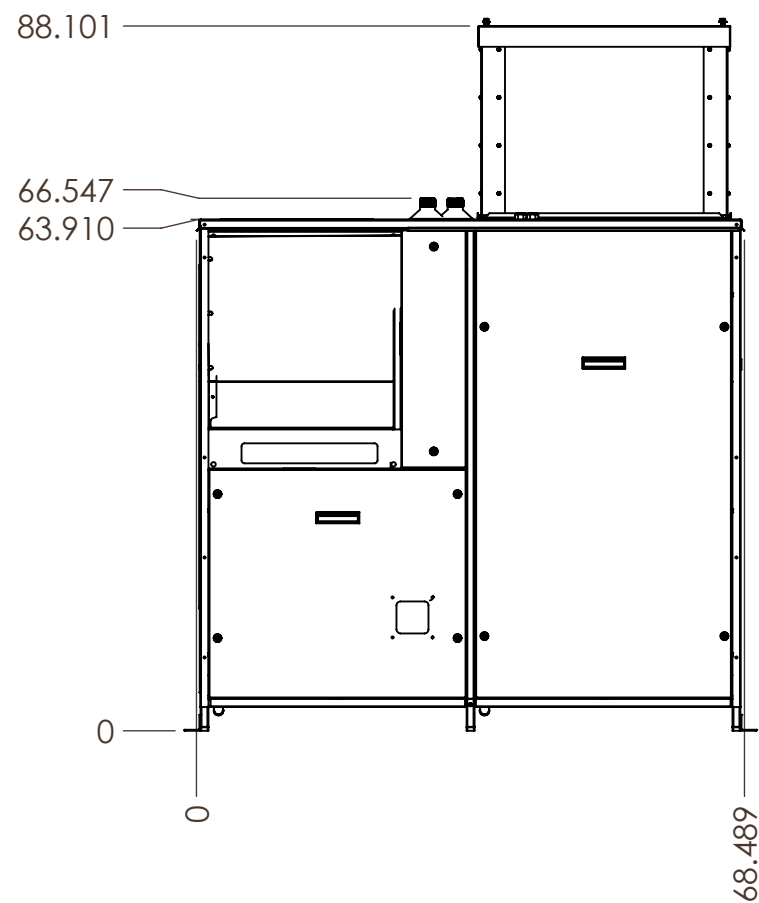
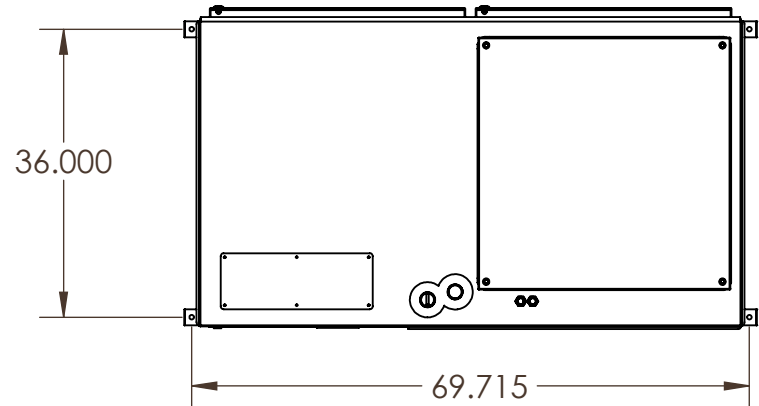
E

D

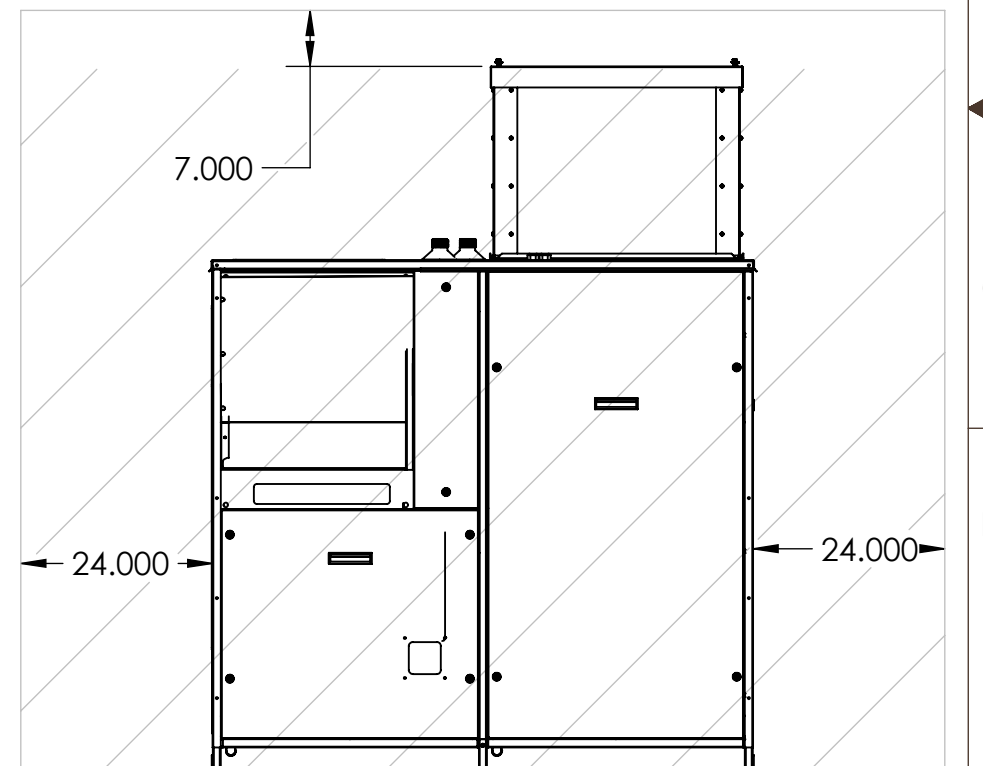
C

B

A



RECOMMENDED SERVICE CLEARANCES FOR SINGLE UNIT



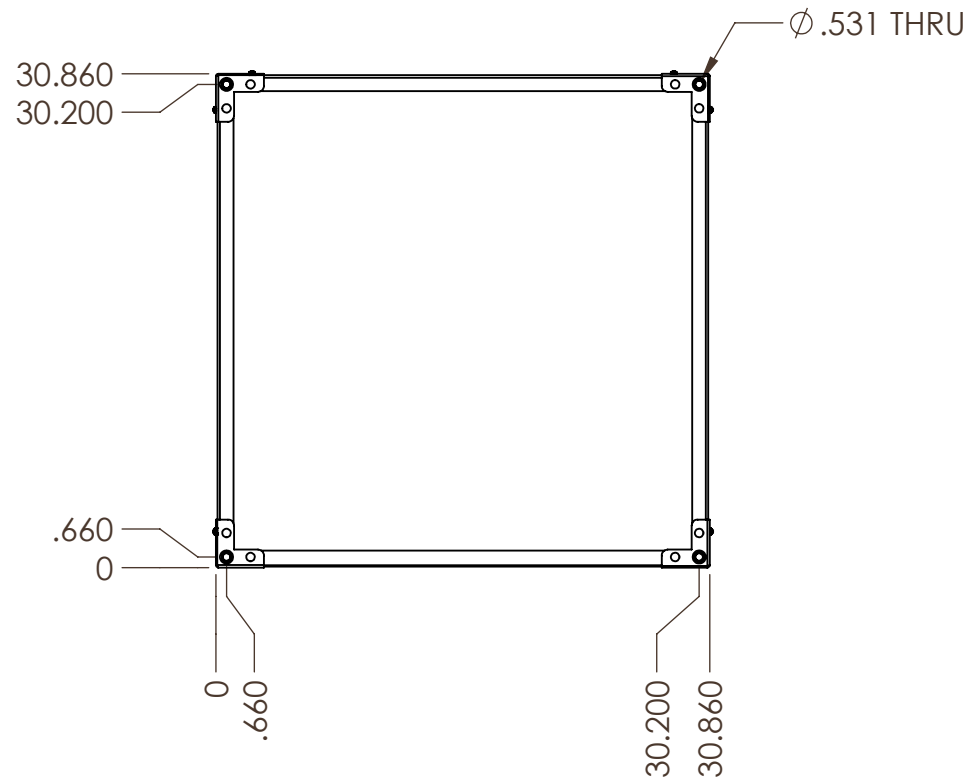
PROPRIETARY AND CONFIDENTIAL
 THE INFORMATION CONTAINED IN THIS DRAWING IS THE SOLE PROPERTY OF COLMAC INDUSTRIES. ANY REPRODUCTION IN PART OR AS A WHOLE WITHOUT THE WRITTEN PERMISSION OF COLMAC INDUSTRIES IS PROHIBITED.

REV. No.	REV STATUS
SHT. No.	OF SHEET

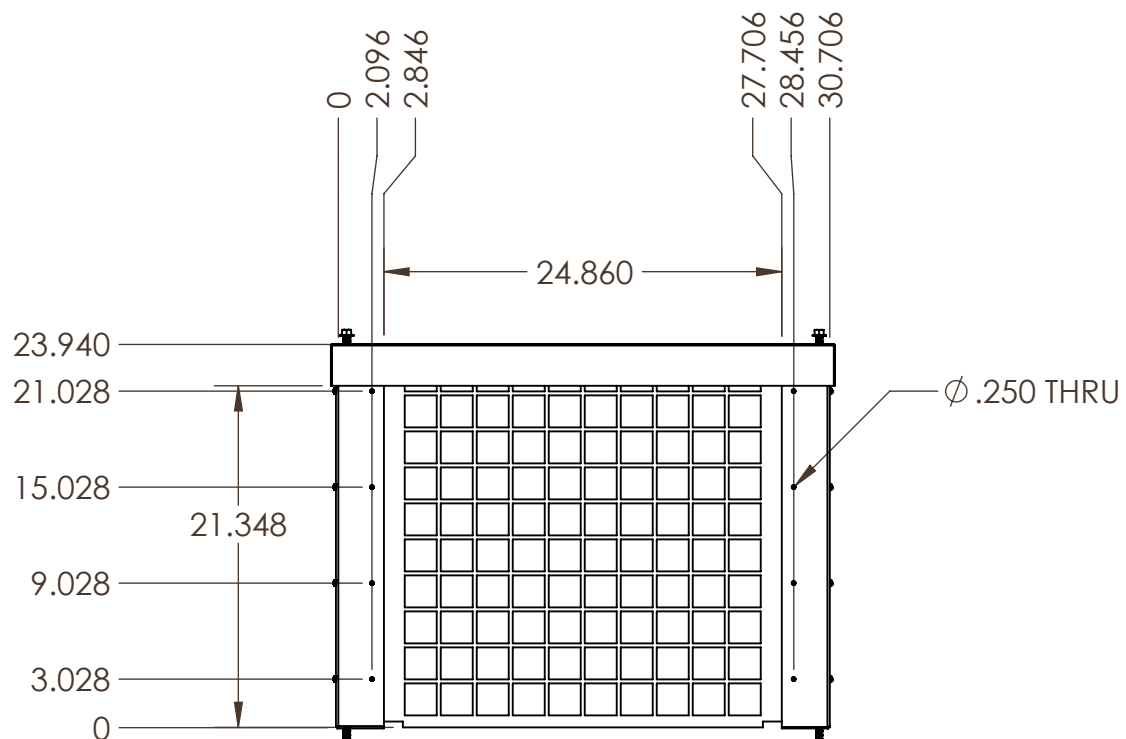
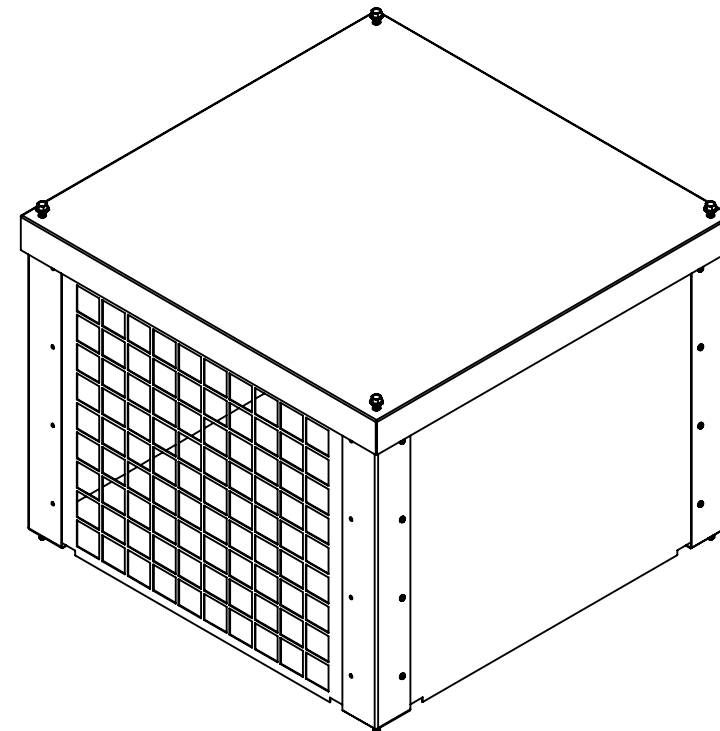
UNLESS OTHERWISE SPECIFIED: DIMENSIONS ARE IN INCHES TOLERANCES: FRACTIONAL: ±1/16 ANGULAR: MACH ±1° BEND ±1° TWO PLACE DECIMAL ±0.03 THREE PLACE DECIMAL ±0.031		CONTRACT NO. DRAWN BY: KLR DATE ENGINEER DATE SOLIDWORKS AUTOCAD	COLMAC INDUSTRIES 401 N. Lincoln, Colville, Washington 99114 (509)684-4505 TITLE: CXA 20-30 SUBMITTAL DRAWING
NEXT ASSY USED ON APPLICATIONS	DO NOT SCALE DRAWING	SIZE DWG. NO. B 1010CXA-0030	REV SCALE: 1:24 UNIT WT. SHEET 2 OF 3

F
E
D
C
B
A

F
E
D
C
B
A



TOP ACCESS FOR DUCTING



NOTE: DUCT ACCESS TO PLENUM FAN IS IDENTICAL ON ALL FOUR SIDES

PROPRIETARY AND CONFIDENTIAL
THE INFORMATION CONTAINED IN THIS DRAWING IS THE SOLE PROPERTY OF COLMAC INDUSTRIES. ANY REPRODUCTION IN PART OR AS A WHOLE WITHOUT THE WRITTEN PERMISSION OF COLMAC INDUSTRIES IS PROHIBITED.

		REV. No.	REV STATUS
		SHT. No.	OF SHEET

UNLESS OTHERWISE SPECIFIED:
DIMENSIONS ARE IN INCHES
TOLERANCES:
FRACTIONAL: $\pm 1/16$
ANGULAR: MACH $\pm 1^\circ$ BEND $\pm 1^\circ$
TWO PLACE DECIMAL ± 0.03
THREE PLACE DECIMAL ± 0.031

CONTRACT NO.	
DRAWN BY KLR	DATE
ENGINEER	DATE
SOLIDWORKS	AUTOCAD
DO NOT SCALE DRAWING	

COLMAC INDUSTRIES 401 N. Lincoln, Colville, Washington 99114 (509)684-4505		
TITLE: ASSY, CXA 10-15 PLENUM FAN COVER		
SIZE	DWG. NO.	REV
B	1010CXA-0030	
SCALE: 1:12	UNIT WT.	SHEET 3 OF 3