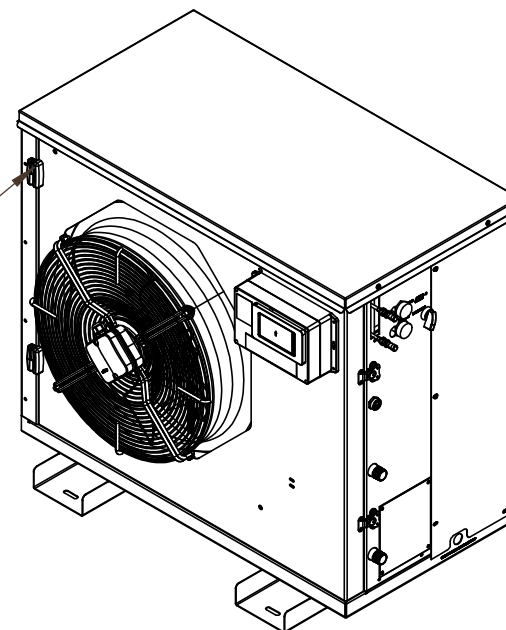
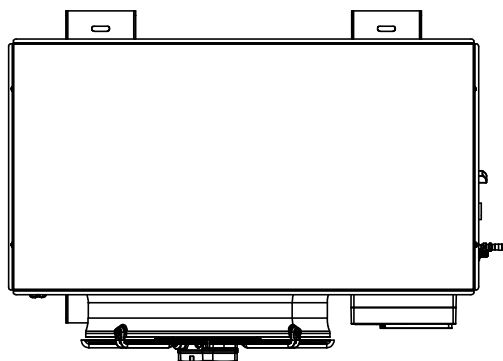


Unit Specifications:

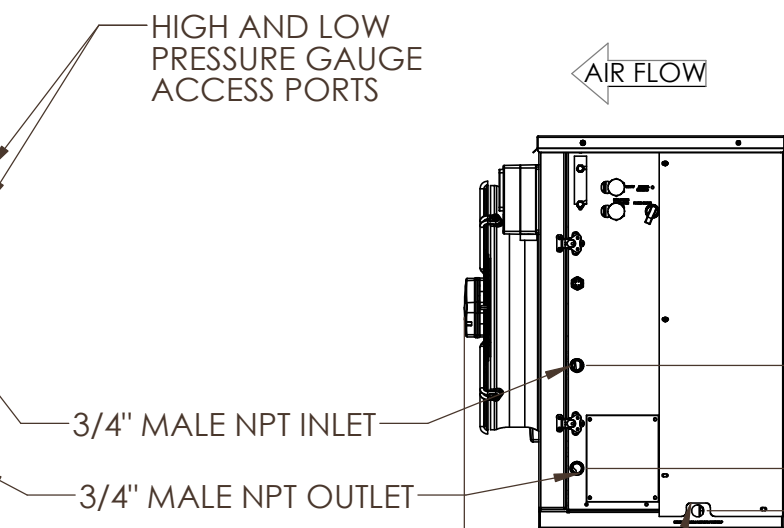
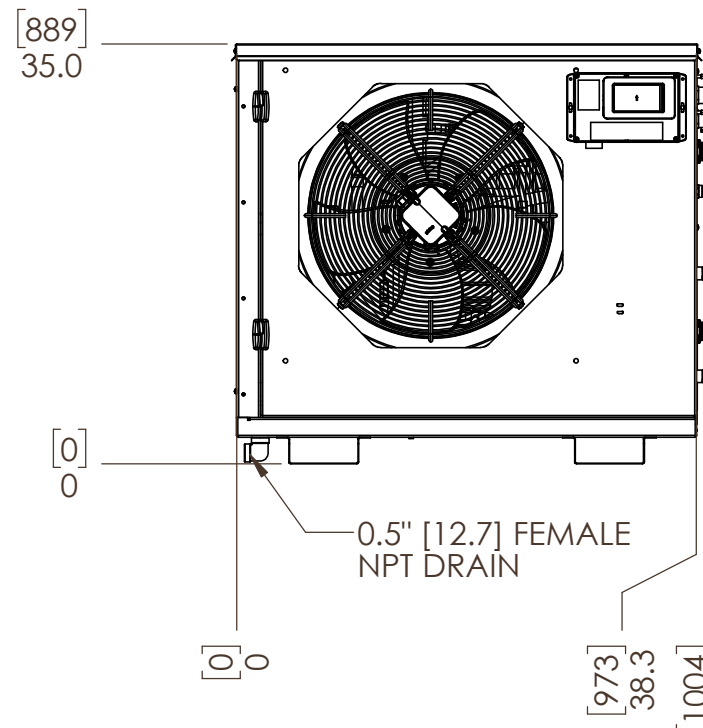
Compressor: (1) Scroll, 5 HP Vapor Injected
 Condensers: (1) Copper Brazed with 316L plates
 Evaporators: (1) Aluminum Micro Channel (Electrocoating Optional)
 Potable Water Pump: (1) 1/2 HP SST Volute, Standard, 150 PSI Max Working Pressure
 Design Flow Rate: 4 GPM @ 40 °F TD, 100 F Air / 50% RH
 Max External Head @ Design: 35.4 ft
 Source Air Fan: 1.4 HP Axial AC, 1250 RPM
 Maximum Source Flow Rate: 4,000 CFM, 0.0" H2O Available
 Control: Microprocessor (PLC) & Touchscreen
 Frame: 304 SST with Cabinet (316 SST Cabinet Optional)
 Refrigerant Type: 410A, 650 PSI Max Working Pressure
 Refrigerant Charge: 4 lbs
 Operating Weight: 435 lbs
 Crated Weight: 615 lbs
 Crated Dimensions: 51" x 44" x 82" (L x W x H)
 Average Sound @ 1M: 72 dB(A)

ELECTRICAL SUPPLY: 208-230 V / 60 HZ / 1 PH
 FLA: 51.1 A
 MCA: 55.0 A
 MOP: 45 A
 FEEDER WIRE: 6 AWG

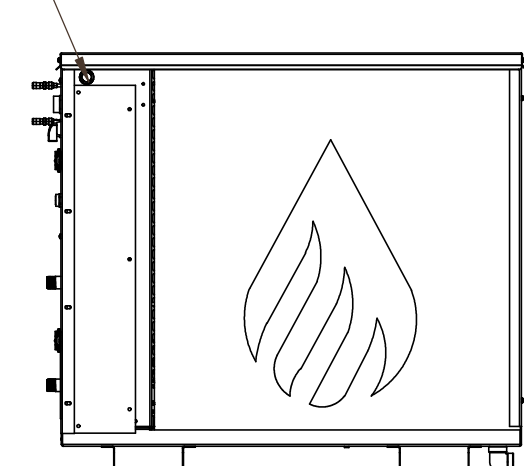
*VALUES ARE APPROXIMATE AND FOR REFERENCE ONLY



HINGED SERVICE ACCESS
LIFT OFF HINGE(S)



7/8" [22.2] UTILITY INPUT



PROPRIETARY AND CONFIDENTIAL
 THE INFORMATION CONTAINED IN THIS DRAWING IS THE SOLE PROPERTY OF COLMAC INDUSTRIES. ANY REPRODUCTION IN PART OR AS A WHOLE WITHOUT THE WRITTEN PERMISSION OF COLMAC INDUSTRIES IS PROHIBITED.

REV. No.	REV STATUS OF SHEET
SHT. No.	

UNLESS OTHERWISE SPECIFIED:
 DIMENSIONS ARE IN INCHES
 TOLERANCES:
 FRACTIONAL: ±1/16
 ANGULAR: MACH ±1° BEND ±1°
 TWO PLACE DECIMAL ±0.03
 THREE PLACE DECIMAL ±0.031

CONTRACT NO.	
DRAWN BY KLR	DATE
ENGINEER	DATE
SOLIDWORKS	AUTOCAD
DO NOT SCALE DRAWING	

COLMAC INDUSTRIES 401 N. Lincoln, Colville, Washington 99114 (509)684-4505	
TITLE: CXV-5 SUBMITTAL DRAWING	
SIZE B	DWG. NO. 1010CXV-0005
SCALE: 1:24	UNIT WT.
SHEET 3 OF 4	

8 7 6 5 4 3 2 1

F

E

D

C

B

A

F

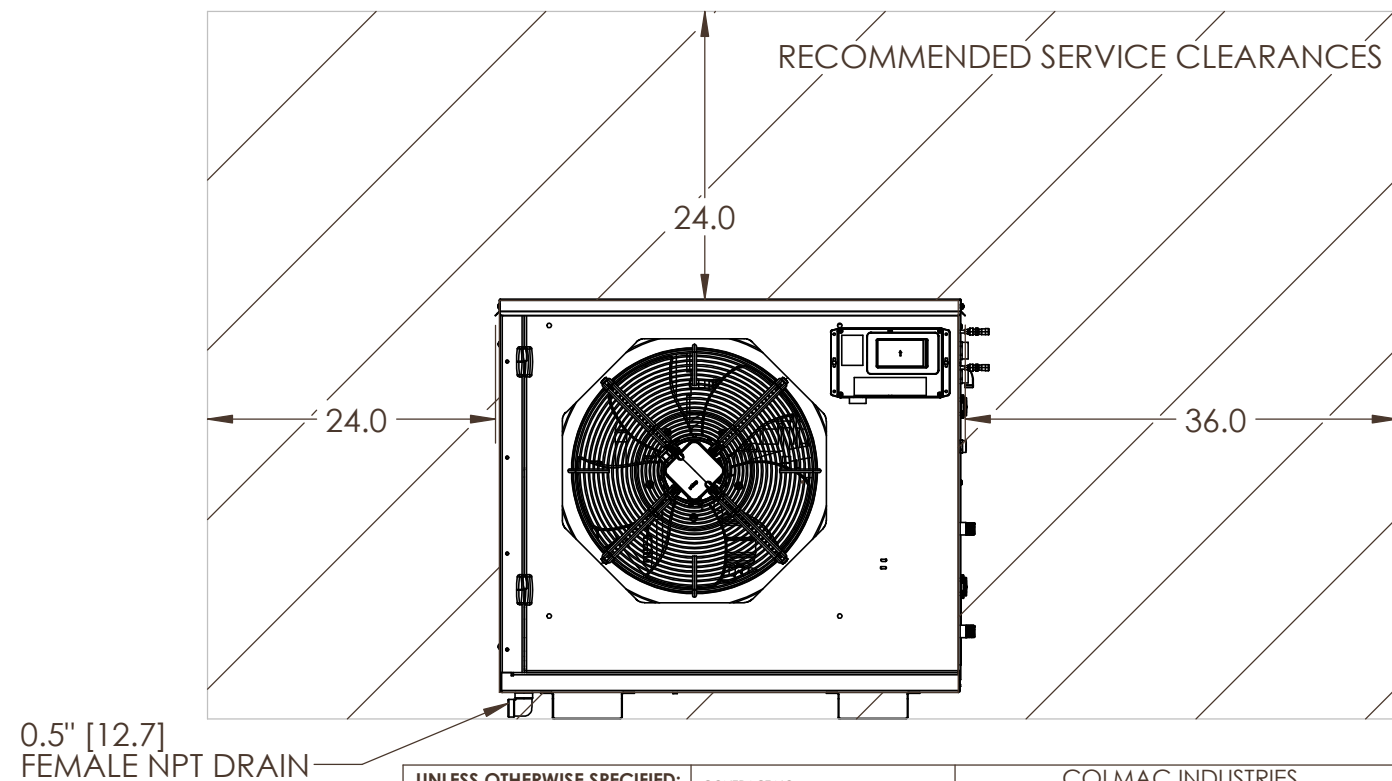
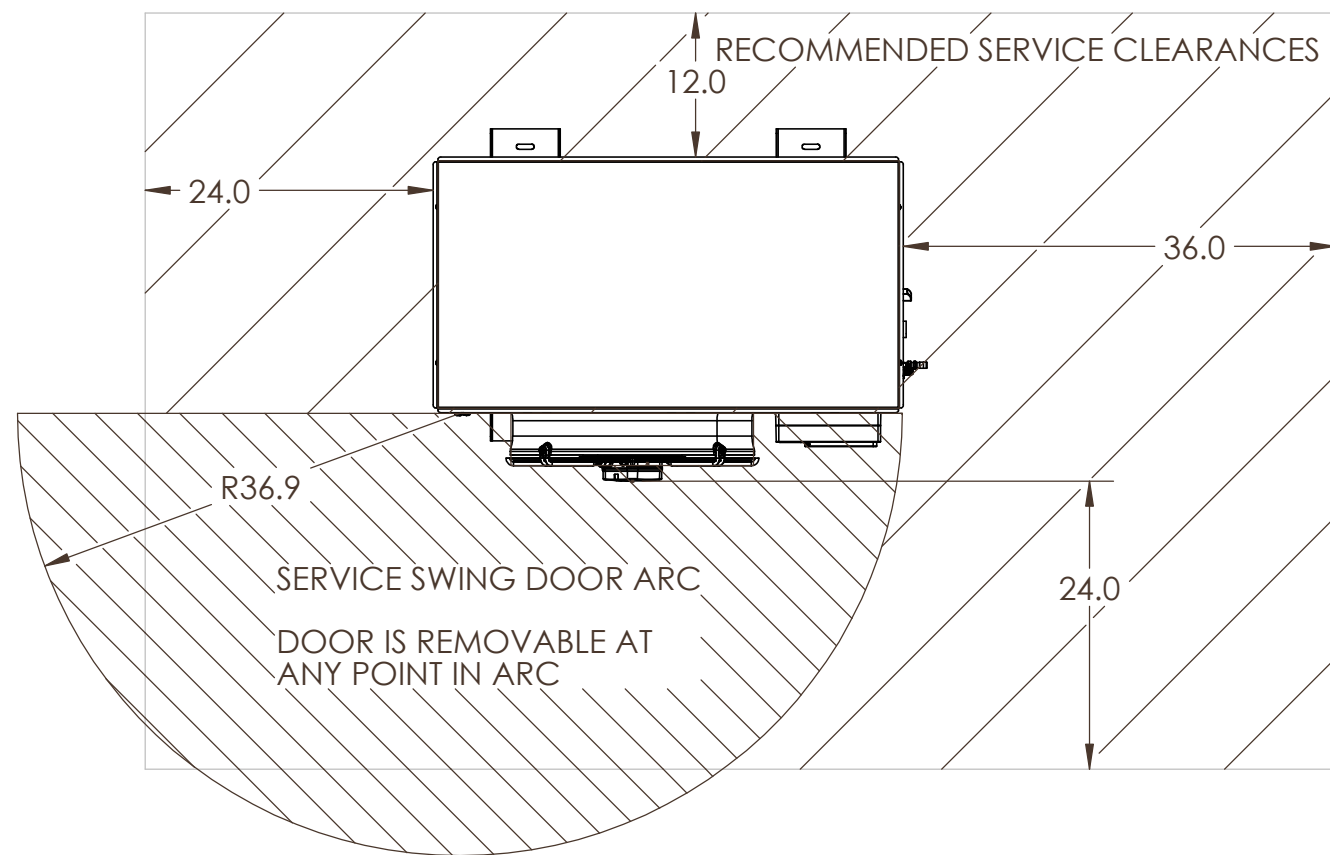
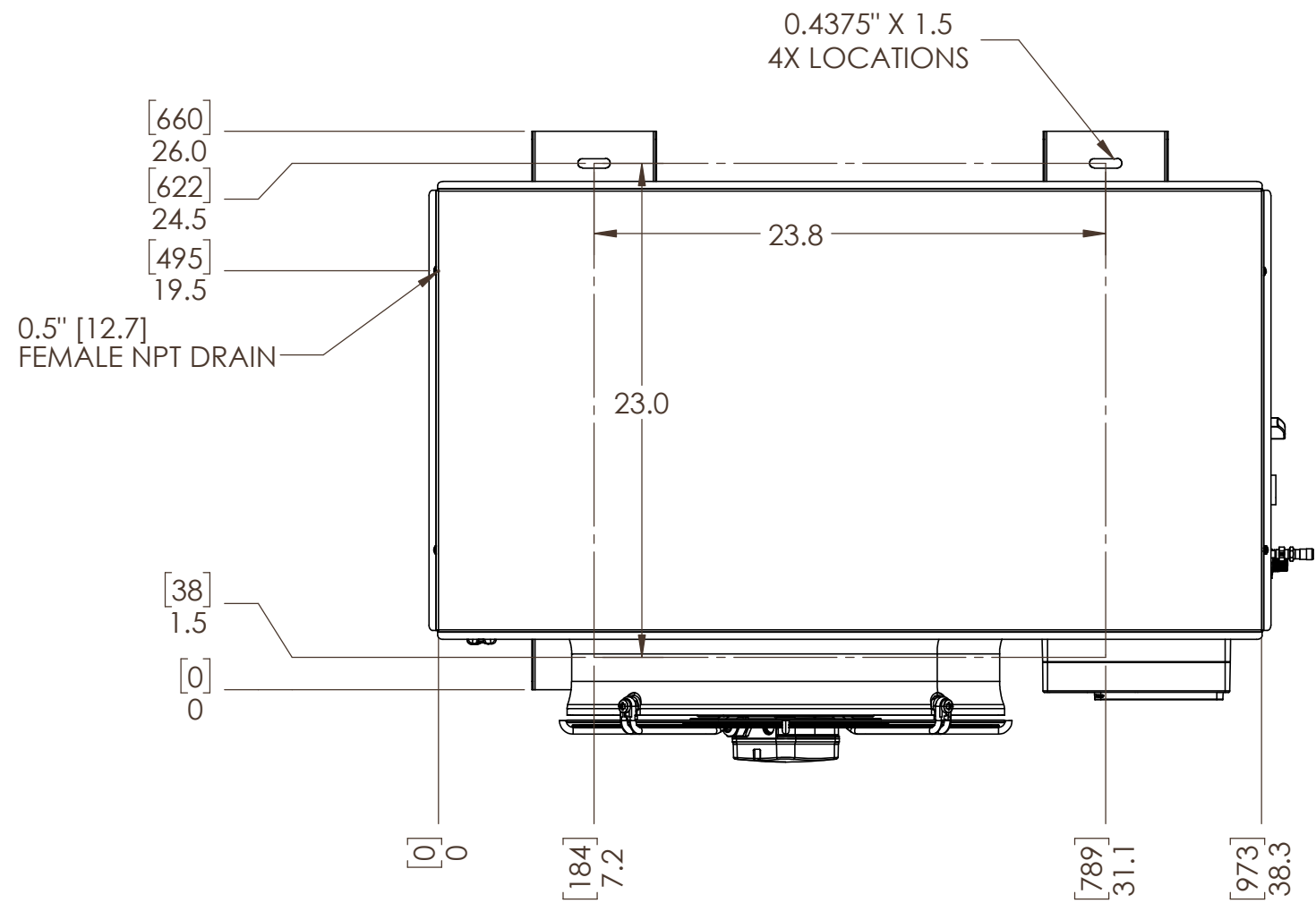
E

D

12/8/2020

1010CXV-0005

A



PROPRIETARY AND CONFIDENTIAL
 THE INFORMATION CONTAINED IN THIS DRAWING IS THE SOLE PROPERTY OF COLMAC INDUSTRIES. ANY REPRODUCTION IN PART OR AS A WHOLE WITHOUT THE WRITTEN PERMISSION OF COLMAC INDUSTRIES IS PROHIBITED.

REV. No.	REV STATUS OF SHEET
SHT. No.	

UNLESS OTHERWISE SPECIFIED:
 DIMENSIONS ARE IN INCHES
 TOLERANCES:
 FRACTIONAL ±1/16
 ANGULAR: MACH ±1° BEND ±1°
 TWO PLACE DECIMAL ±0.03
 THREE PLACE DECIMAL ±0.031

CONTRACT NO.	
DRAWN BY KLR	DATE
ENGINEER	DATE
SOLIDWORKS	AUTOCAD
DO NOT SCALE DRAWING	

COLMAC INDUSTRIES 401 N. Lincoln, Colville, Washington 99114 (509)684-4505	
TITLE: CXV-5 SUBMITAL DRAWING	
SIZE B	DWG. NO. 1010CXV-0005
SCALE: 1:24	UNIT WT.
SHEET 4 OF 4	

8 7 6 5 4 3 2 1