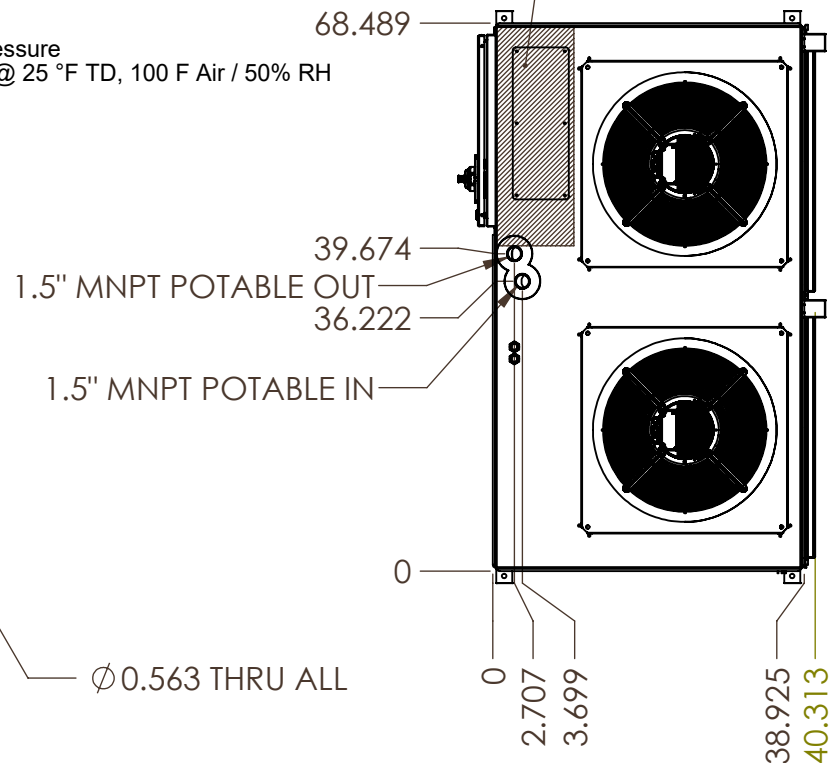
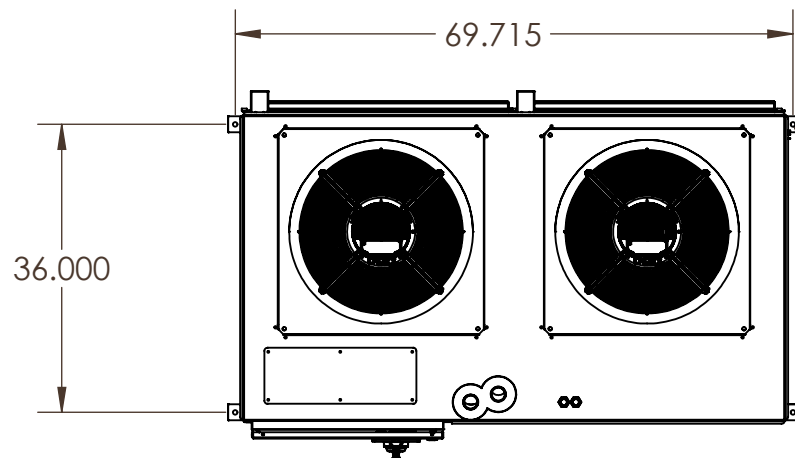


8 7 6 5 4 3 2 1

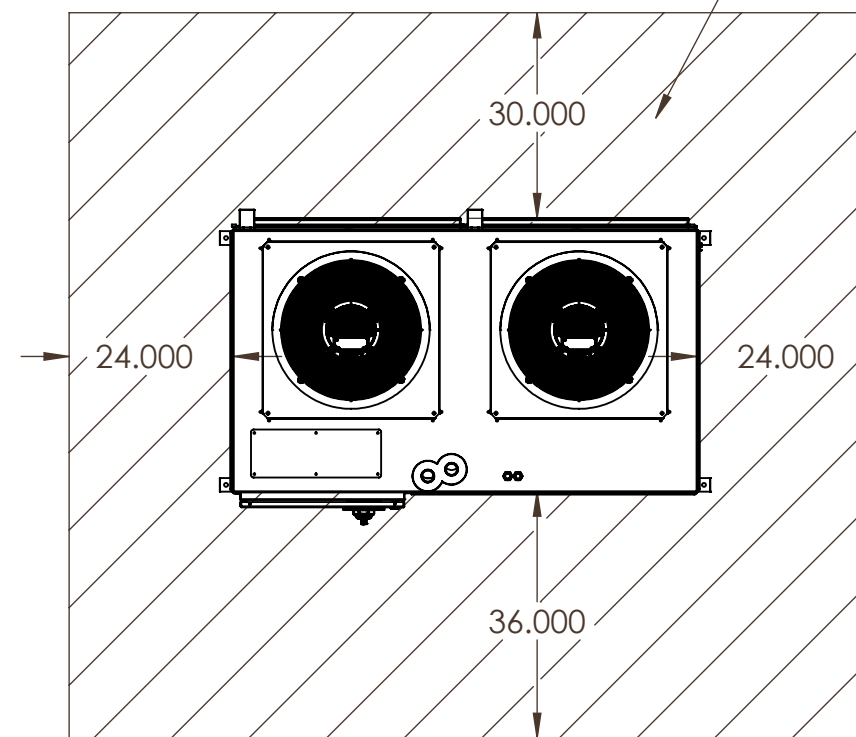
Unit Specifications:

- Compressor: (1) Scroll, Copeland or Equivalent
- Condensers: (1) Copper Brazed with 316L plates
- Evaporators: (2) Aluminum Micro Channel (Electrocoating Optional)
- Potable Water Pump: (1) 1/2 HP SST Volute, Standard, 150 PSI Max Working Pressure
- Design Flow Rate: 21.8 GPM (20 HP), 25.6 GPM (25 HP), 28.9 GPM (30 HP) @ 25 °F TD, 100 F Air / 50% RH
- Max External Head @ Design: 19.2 ft (20 HP), 12.1 ft (25 HP), 5 ft (30 HP)
- Source Air Fan: 5 HP Axial ECM, 1600 RPM
- Minimum Required Airflow: 10,000 CFM, 0.0" H2O Available
- Control: Microprocessor (PLC)
- Frame: 304 SST with Cabinet (316 SST Cabinet Optional)
- Refrigerant Type: 134a, 450 PSI Max Working Pressure
- Refrigerant Charge: 16.5 lbs (20 HP), 19.25 lbs (25 HP), 16.5 lbs (30 HP)
- Dry Weight: 1475 lbs (20 HP), 1585 lbs (25 HP), 1600 lbs (30 HP)
- Crated Weight: 1870 lbs (20 HP), 1980 lbs (25 HP), 2050 lbs (30 HP)
- Crated Dimensions: 51" x 76" x 87" (L x W x H)
- Average Sound Pressure @ 1M: 83 dB(A)

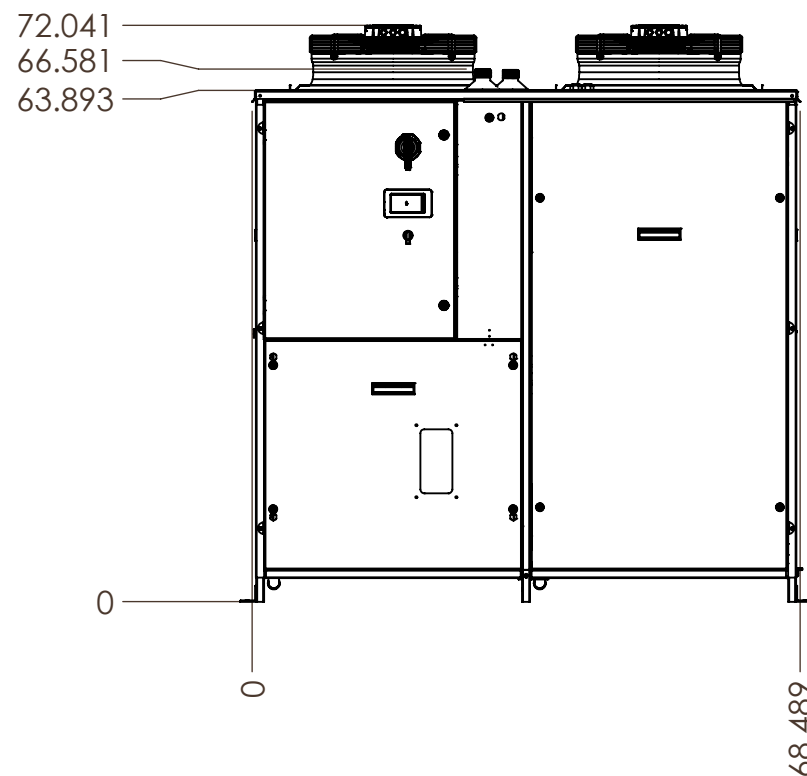
\*VALUES ARE APPROXIMATE AND FOR REFERENCE ONLY



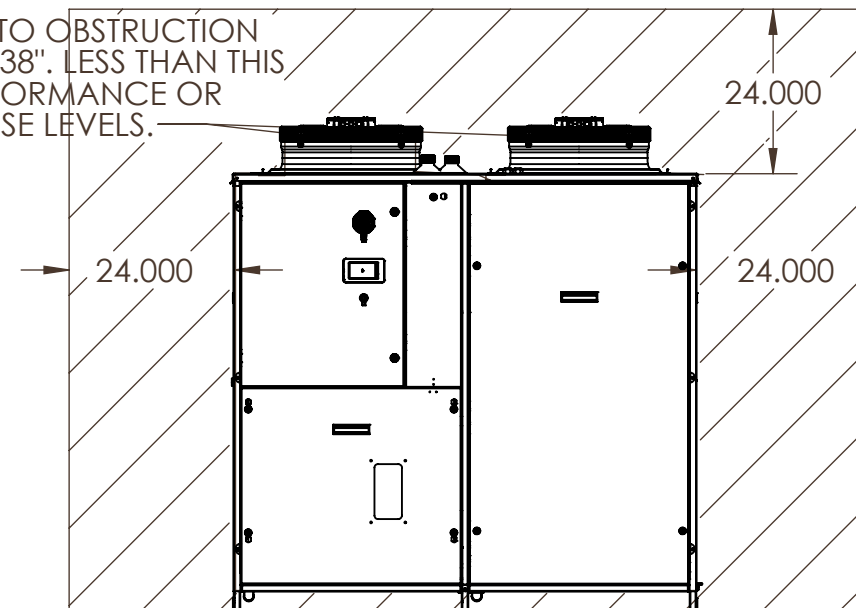
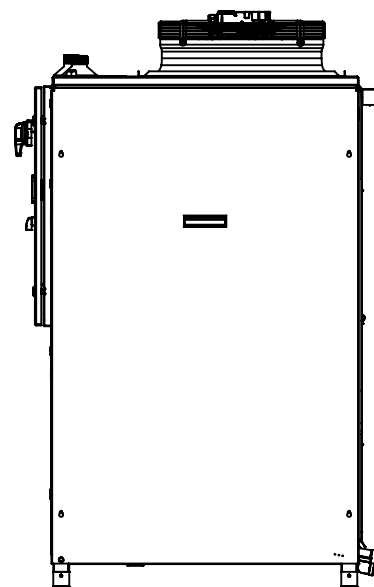
MINIMUM DISTANCE TO OBSTRUCTION FROM EVAPORATOR INLET; RECOMMENDED 36" CLEARANCE FOR BEST PERFORMANCE



RECOMMENDED SERVICE CLEARANCE FOR SINGLE UNIT



MINIMUM DISTANCE TO OBSTRUCTION FROM AXIAL OUTLET IS 38". LESS THAN THIS MAY REDUCE PERFORMANCE OR INCREASE NOISE LEVELS.



PROPRIETARY AND CONFIDENTIAL  
THE INFORMATION CONTAINED IN THIS DRAWING IS THE SOLE PROPERTY OF COLMAC INDUSTRIES. ANY REPRODUCTION IN PART OR AS A WHOLE WITHOUT THE WRITTEN PERMISSION OF COLMAC INDUSTRIES IS PROHIBITED.

REV. No.	REV STATUS
SHT. No.	OF SHEET

UNLESS OTHERWISE SPECIFIED:  
DIMENSIONS ARE IN INCHES  
TOLERANCES:  
FRACTIONAL ±1/16  
ANGULAR: MACH ±1° BEND ±1°  
TWO PLACE DECIMAL ±0.03  
THREE PLACE DECIMAL ±0.031

CONTRACT NO.	
DRAWN BY	DATE
ENGINEER	DATE
SOLIDWORKS	AUTOCAD

COLMAC INDUSTRIES 401 N. Lincoln, Colville, Washington 99114 (509)684-4505		
TITLE: CXA 20-30 SUBMITTAL DRAWING WITH AXIAL FAN		
SIZE	DWG. NO.	REV
B	1010CXA-1030	
SCALE: 1:24	UNIT WT.	SHEET 1 OF 3

8 7 6 5 4 3 2 1

12/9/2021

1010CXA-1030

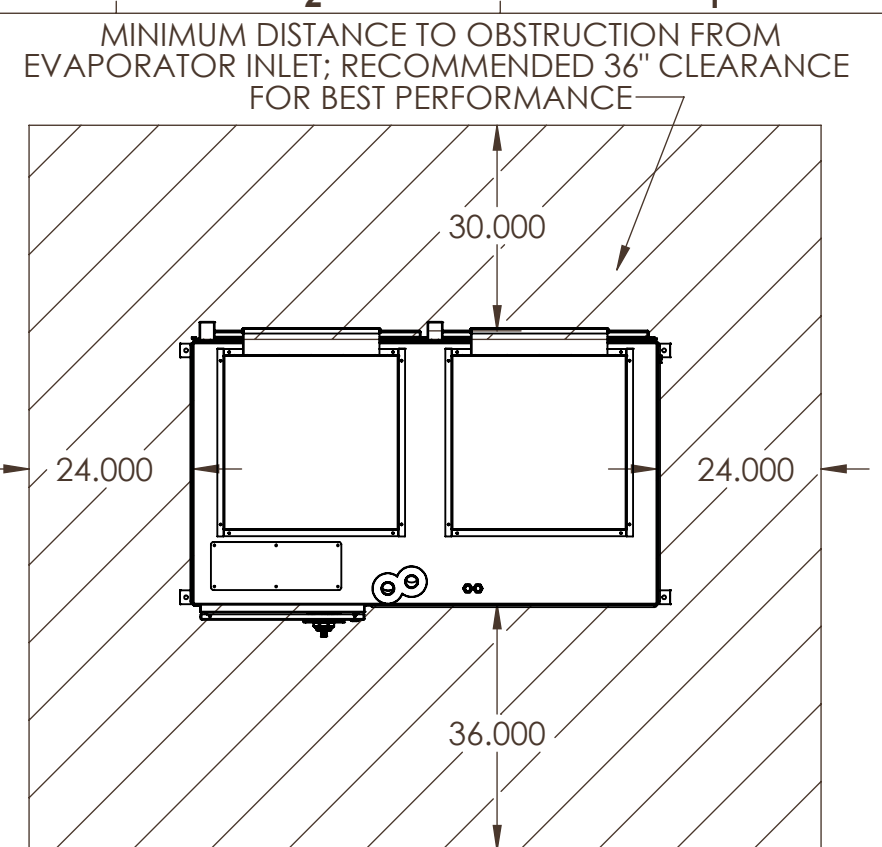
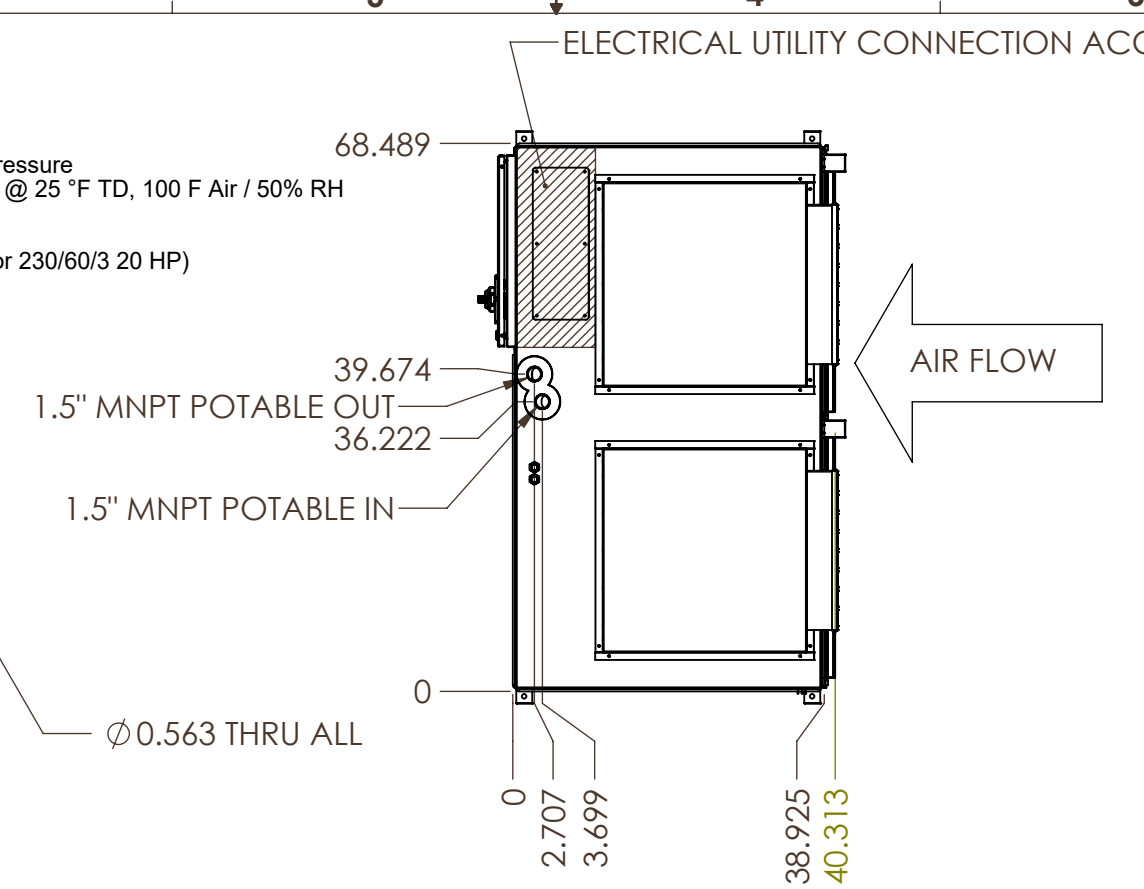
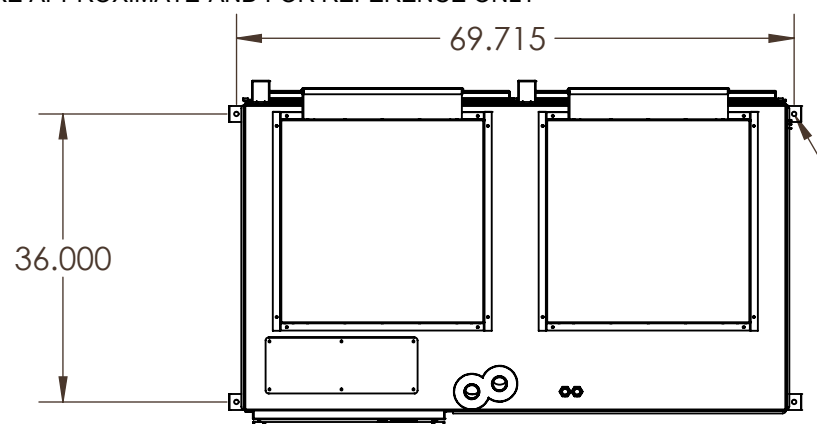
8 7 6 5 4 3 2 1

Unit Specifications:

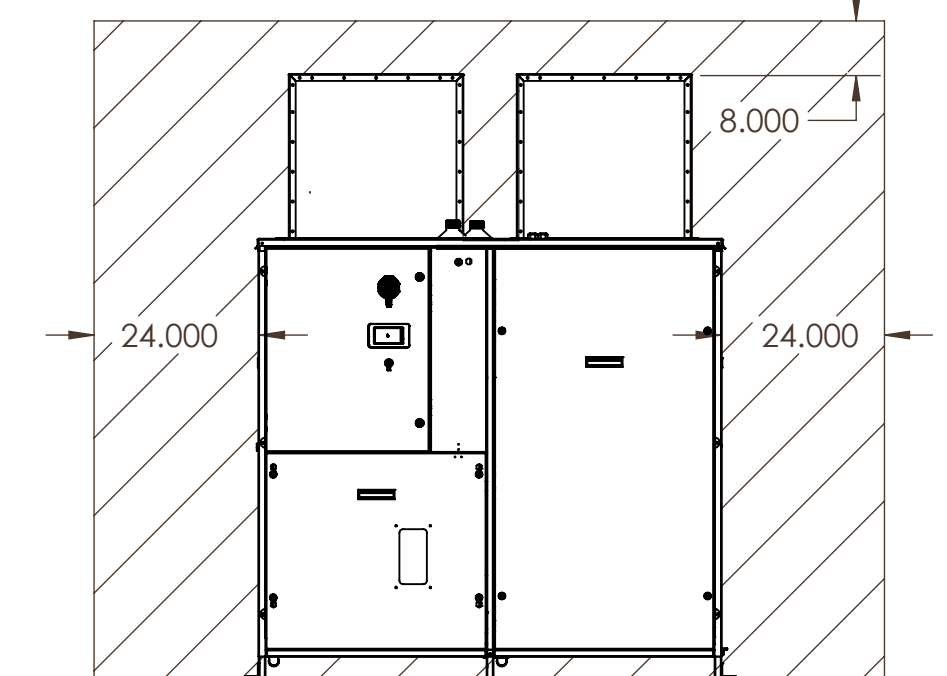
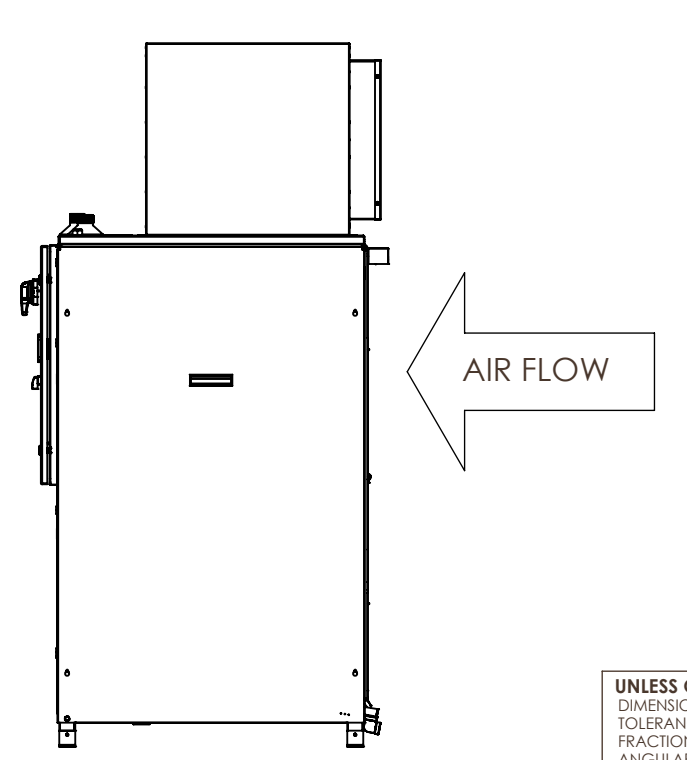
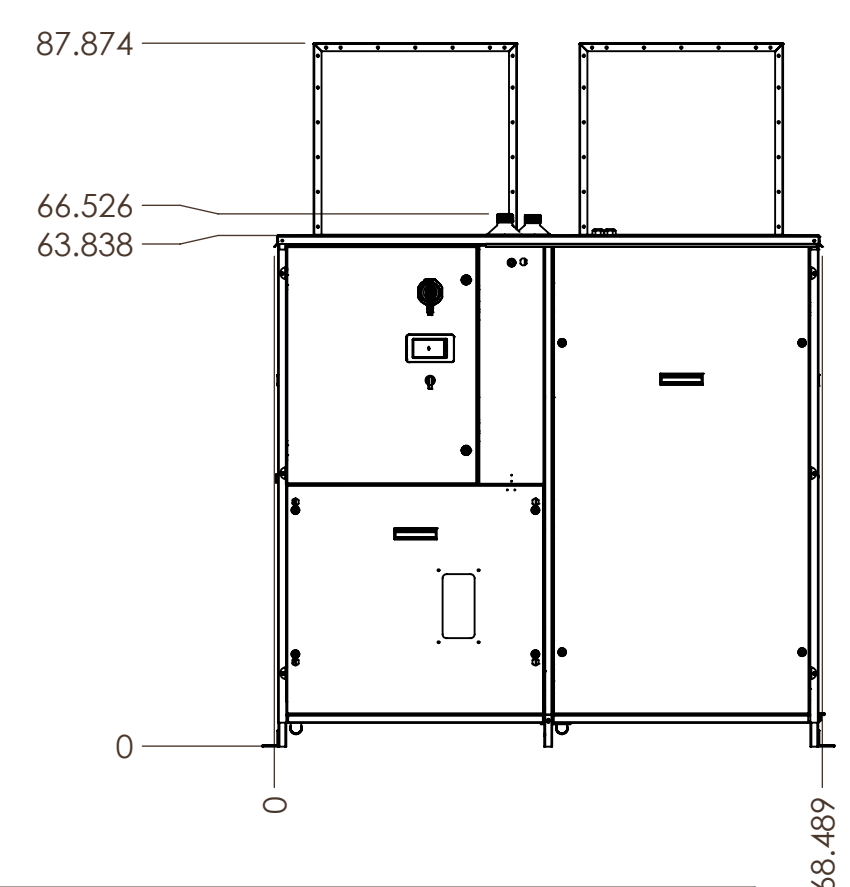
- Compressor: (1) Scroll, Copeland or Equivalent
- Condensers: (1) Copper Brazed with 316L plates
- Evaporators: (2) Aluminum Micro Channel (Electrocoating Optional)
- Potable Water Pump: (1) 1/2 HP SST Volute, Standard, 150 PSI Max Working Pressure
- Design Flow Rate: 21.8 GPM (20 HP), 25.6 GPM (25 HP), 28.9 GPM (30 HP) @ 25 °F TD, 100 F Air / 50% RH
- Max External Head @ Design: 19.2 ft (20 HP), 12.1 ft (25 HP), 5 ft (30 HP)
- Source Air Fan: 4.8 HP Axial ECM, 1600 RPM
- Minimum Required Airflow: 10,000 CFM, 1.5 H2O Available (7,700 CFM @ 1.5 H2O for 230/60/3 20 HP)
- Control: Microprocessor (PLC)
- Frame: 304 SST with Cabinet (316 SST Cabinet Optional)
- Refrigerant Type: 134a, 450 PSI Max Working Pressure
- Refrigerant Charge: 16.5 lbs (20 HP), 19.25 lbs (25 HP), 16.5 lbs (30 HP)
- Dry Weight: 1570 lbs (20 HP), 1690 lbs (25 HP), 1705 lbs (30 HP)
- Crated Weight: 2000 lbs (20 HP), 2120 lbs (25 HP), 2135 lbs (30 HP)
- Crated Dimensions: 51" x 76" x 96" (L x W x H)
- Average Sound Pressure @ 1M: 95 dB(A)

\*VALUES ARE APPROXIMATE AND FOR REFERENCE ONLY

F  
E  
D  
C  
B  
A



RECOMMENDED SERVICE CLEARANCES FOR SINGLE UNIT



F  
E  
D  
C  
B  
A

12/9/2021

1010CXA-1030

PROPRIETARY AND CONFIDENTIAL  
THE INFORMATION CONTAINED IN THIS DRAWING IS THE SOLE PROPERTY OF COLMAC INDUSTRIES. ANY REPRODUCTION IN PART OR AS A WHOLE WITHOUT THE WRITTEN PERMISSION OF COLMAC INDUSTRIES IS PROHIBITED.

UNLESS OTHERWISE SPECIFIED: DIMENSIONS ARE IN INCHES TOLERANCES: FRACTIONAL ±1/16 ANGULAR: MACH ±1° BEND ±1° TWO PLACE DECIMAL ±0.03 THREE PLACE DECIMAL ±0.031		CONTRACT NO.	COLMAC INDUSTRIES 401 N. Lincoln, Colville, Washington 99114 (509)684-4505	
DRAWN BY		DATE	TITLE: CXA 20-30 SUBMITTAL DRAWING WITH AXIAL FAN	
ENGINEER		DATE	SIZE	DWG. NO.
NEXT ASSY		USED ON	B 1010CXA-1030	
SOLIDWORKS		AUTOCAD	SCALE: 1:24	UNIT WT.
DO NOT SCALE DRAWING		SHEET 2 OF 3		REV

REV. No.	REV STATUS OF SHEET
SHT. No.	

8 7 6 5 4 3 2 1

8 7 6 5 4 3 2 1

F

F

E

E

D

D

C

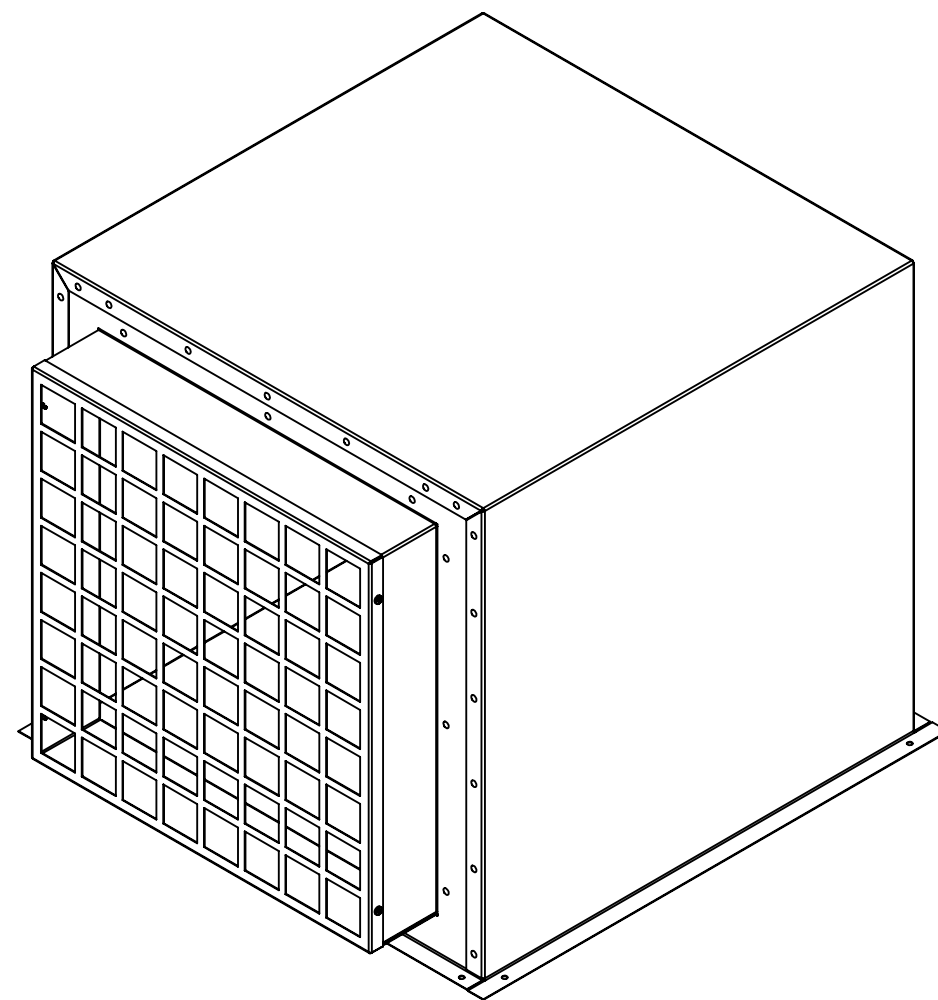
C

B

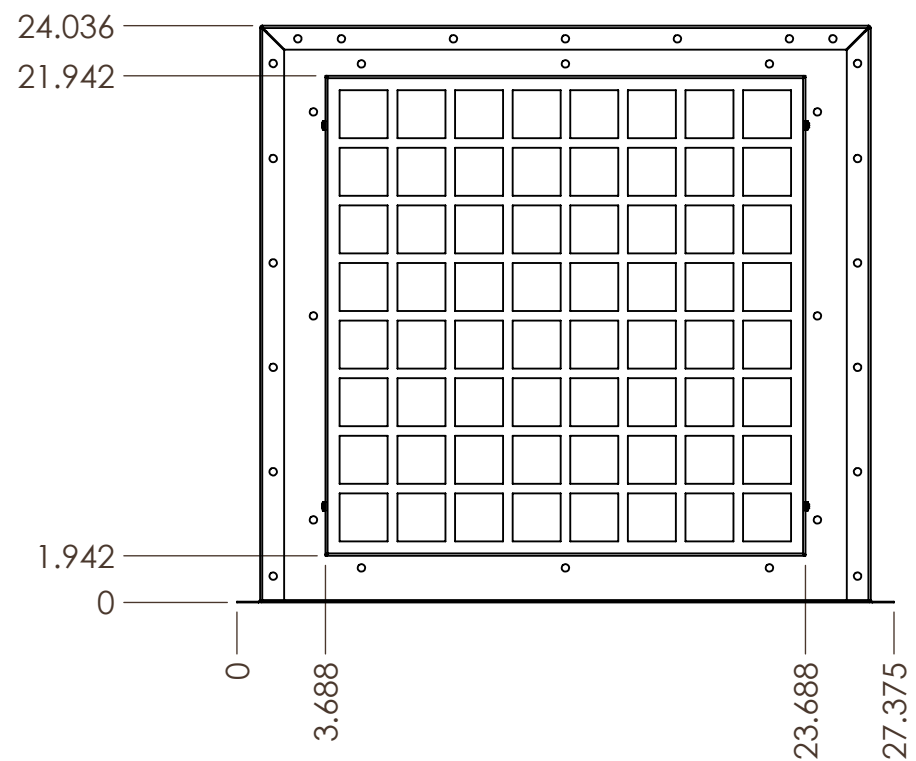
B

A

A



NOTE: PLENUM CAN BE ROTATED 90° TO EXHAUST OUT THE FRONT, BACK, OR SIDE.



PROPRIETARY AND CONFIDENTIAL  
THE INFORMATION CONTAINED IN THIS DRAWING IS THE SOLE PROPERTY OF COLMAC INDUSTRIES. ANY REPRODUCTION IN PART OR AS A WHOLE WITHOUT THE WRITTEN PERMISSION OF COLMAC INDUSTRIES IS PROHIBITED.

8 7 6 5 4 3 2 1

		REV. No.	REV STATUS OF SHEET
		SHT. No.	

UNLESS OTHERWISE SPECIFIED:  
DIMENSIONS ARE IN INCHES  
TOLERANCES:  
FRACTIONAL ±1/16  
ANGULAR: MACH ±1° BEND ±1°  
TWO PLACE DECIMAL ±0.03  
THREE PLACE DECIMAL ±0.031

CONTRACT NO.	
DRAWN BY	DATE
ENGINEER	DATE
SOLIDWORKS	AUTOCAD
<b>DO NOT SCALE DRAWING</b>	

COLMAC INDUSTRIES 401 N. Lincoln, Colville, Washington 99114 (509)684-4505		
TITLE: ASSY, CXA PLENUM FAN COVER		
SIZE	DWG. NO.	REV
<b>B</b>	<b>1010CXA-1030</b>	
SCALE: 1:12	UNIT WT.	SHEET 3 OF 3

12/9/2021

1010CXA-1030